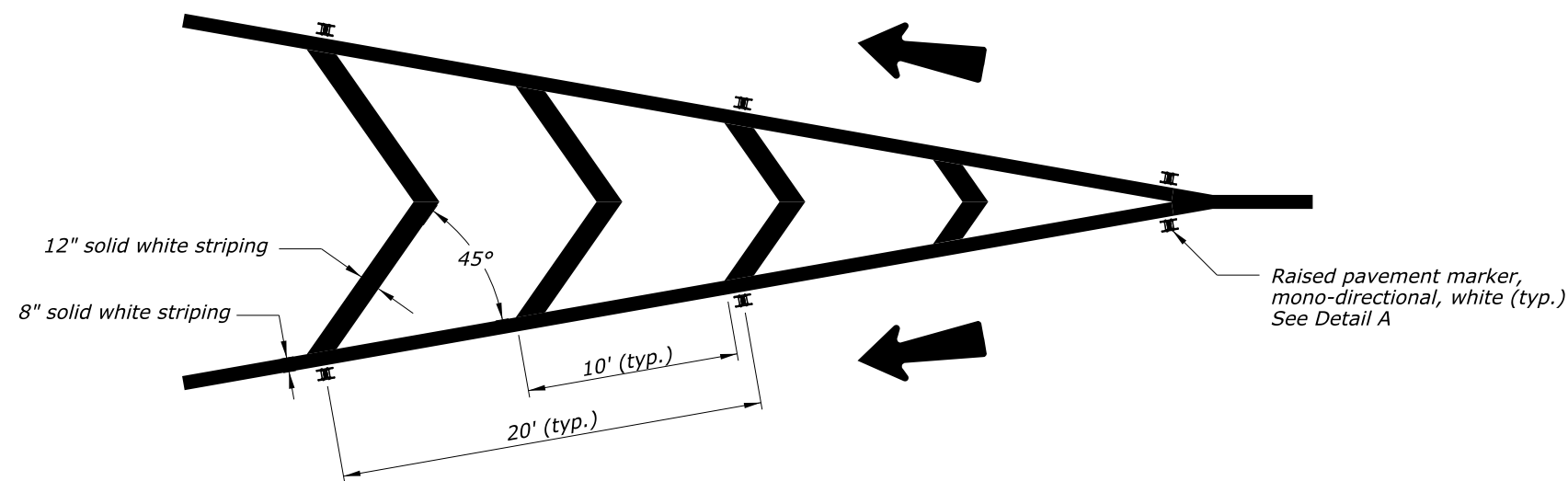
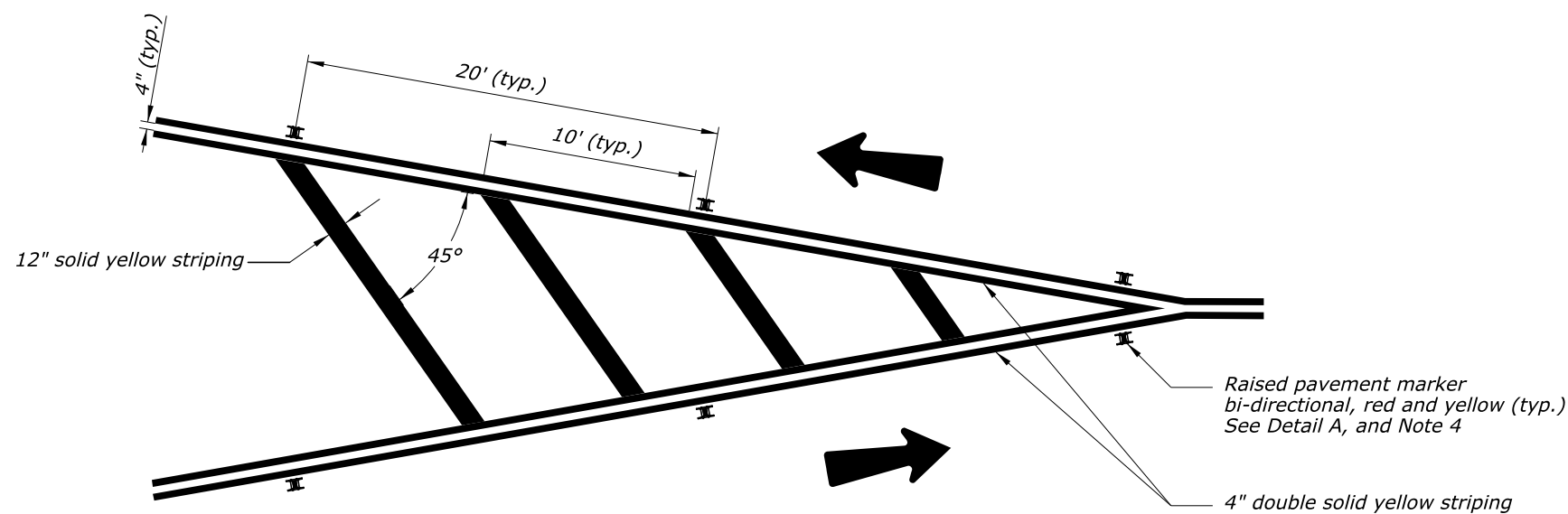


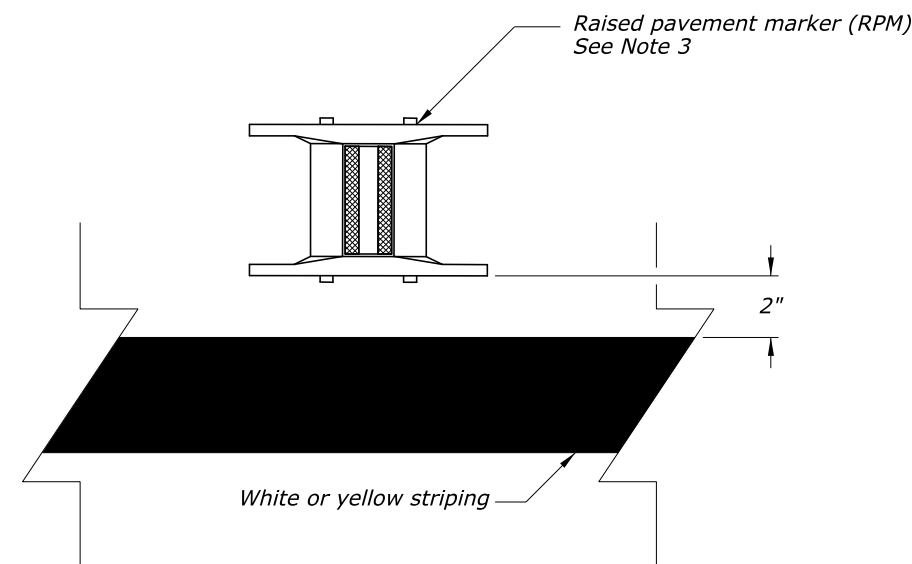
ONE-WAY TRAFFIC, LANE SHIFT



ONE-WAY TWO-LANE TRAFFIC, LANES SEPARATE



TWO-WAY TWO-LANE TRAFFIC, LANES SEPARATE



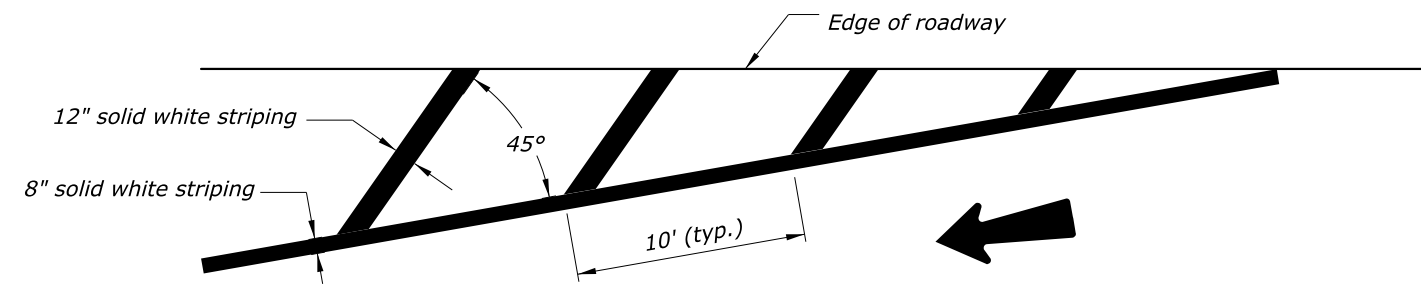
DETAIL A

NOTES:

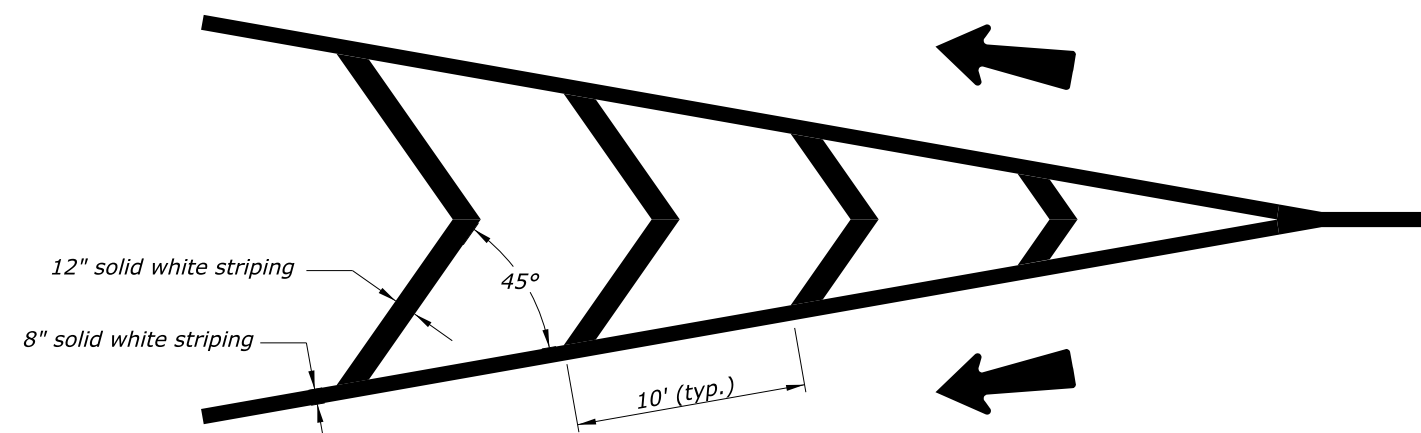
1. Install striping in accordance with the MUTCD, latest edition.
2. Space and install raised pavement markers (RPMs) in accordance with the MUTCD, latest edition, and as shown or as directed by the CO.
3. Detail A shows plowable RPM only; the same positioning applies to non-plowable RPMs. See Detail E634-02 for RPM details.
4. Install bi-directional RPMs so that the yellow reflective side is facing the traffic flow and the red reflective side is facing the opposing traffic.
5. Typical pavement marking widths are shown. Use wider pavement markings when specified in the plans or as directed by the CO.

NO SCALE

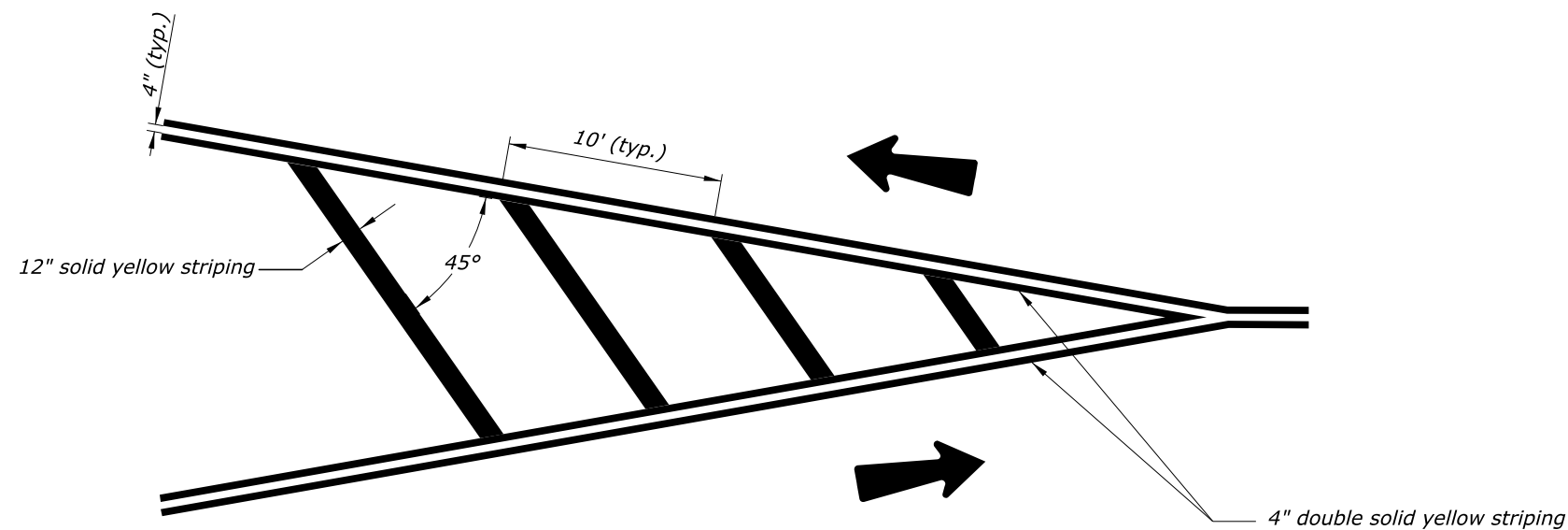
U.S. DEPARTMENT OF TRANSPORTATION FEDERAL HIGHWAY ADMINISTRATION EASTERN FEDERAL LANDS HIGHWAY DIVISION	
U.S. CUSTOMARY DETAIL PAVEMENT MARKINGS IN NEUTRAL AREAS WITH RAISED PAVEMENT MARKERS	
DETAIL APPROVED FOR USE APPROVED: MAY 2011 REVISED: MAY 2017	DETAIL E634-04



ONE-WAY TRAFFIC, LANE SHIFT



ONE-WAY TWO-LANE TRAFFIC, LANES SEPARATE



TWO-WAY TWO-LANE TRAFFIC, LANES SEPARATE

NOTES:

1. Install striping in accordance with the MUTCD, latest edition.
2. Typical pavement marking widths are shown. Use wider pavement markings when specified in the plans or as directed by the CO.

16-May-2017 03:14 PM M:\Standards_and_Details\EFLHD_Details\Drawings\EFLHD_Details_Lanouchine\st63404_detail.dgn

NO SCALE

U.S. DEPARTMENT OF TRANSPORTATION FEDERAL HIGHWAY ADMINISTRATION EASTERN FEDERAL LANDS HIGHWAY DIVISION	
U.S. CUSTOMARY DETAIL	
PAVEMENT MARKINGS IN NEUTRAL AREAS	
DETAIL APPROVED FOR USE	DETAIL
APPROVED: MAY 2011 REVISED: MAY 2017	E634-04