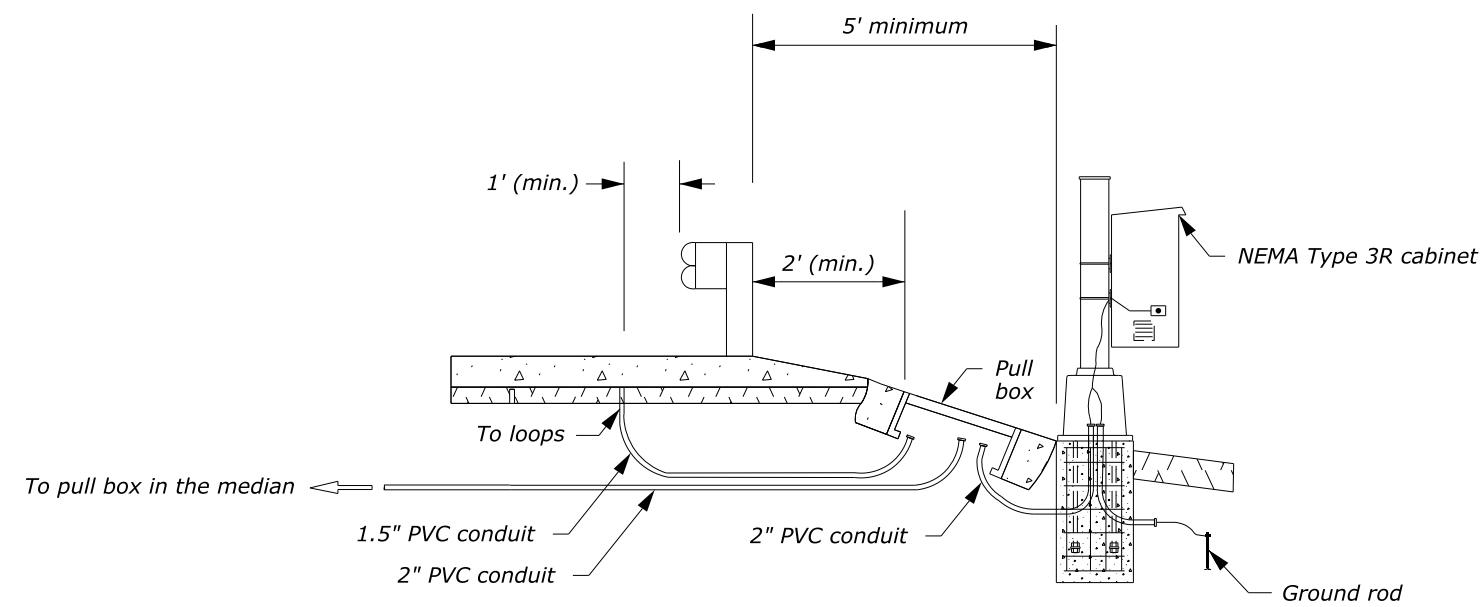
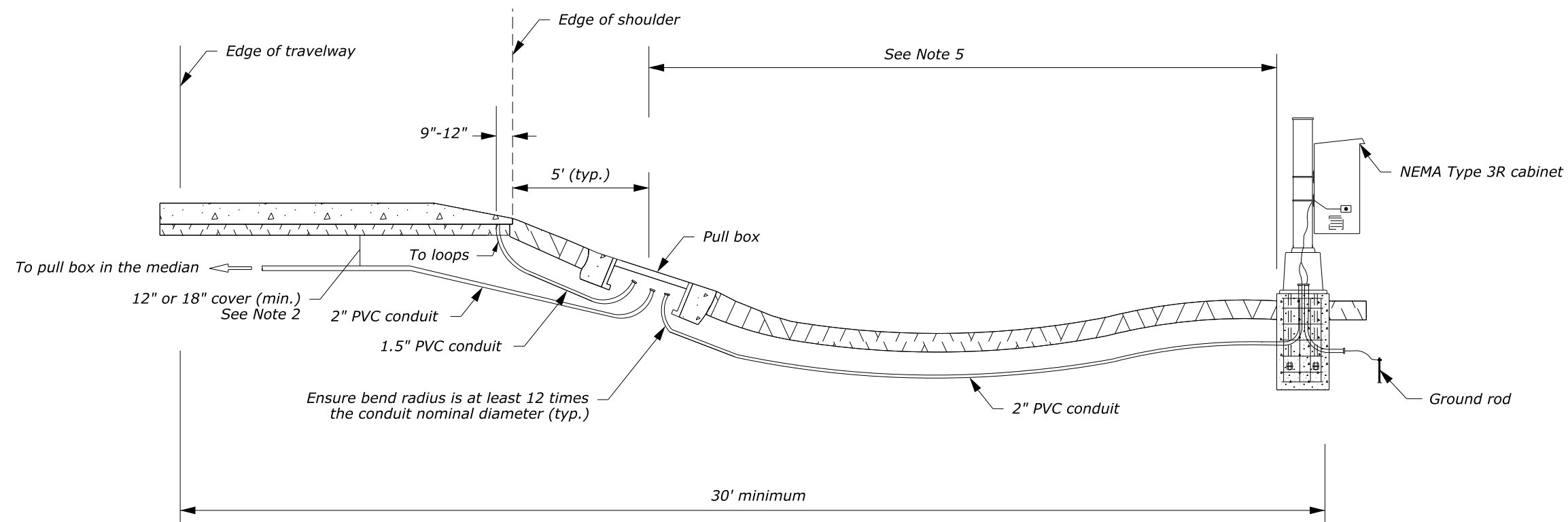


NOTES:

1. Install pull box and cabinet as directed by the CO.
2. If cabinet is located more than 30 feet from the edge of travelway, provide a minimum cover of 12 inches. Otherwise, provide a minimum cover of 18 inches.
3. Use minimum 3/4-inch diameter conduit when attached to poles above ground.
4. In the vicinity of underground utilities, provide a minimum 2 feet horizontal and 6 inches vertical clearances.
5. Add additional pull box adjacent to cabinet when distance is greater than 50 feet.



CABINET LOCATION WITH GUARDRAIL OR BARRIER



CABINET LOCATION WITHOUT GUARDRAIL OR BARRIER

NO SCALE

U.S. DEPARTMENT OF TRANSPORTATION FEDERAL HIGHWAY ADMINISTRATION EASTERN FEDERAL LANDS HIGHWAY DIVISION	
U.S. CUSTOMARY DETAIL	
PULL BOX AND CABINET LOCATION	
DETAIL APPROVED FOR USE	DETAIL
APPROVED: MARCH 2015 REVISED: JANUARY 2019	E636-05