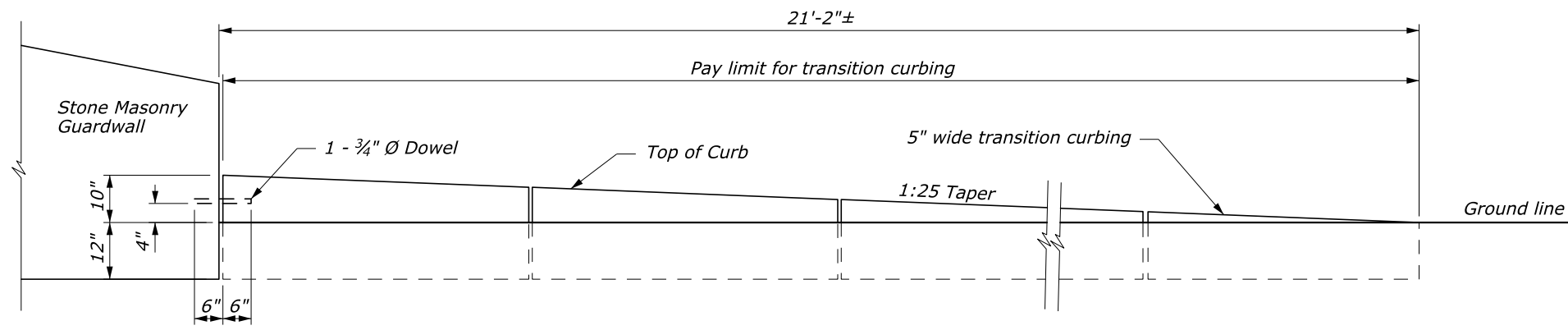
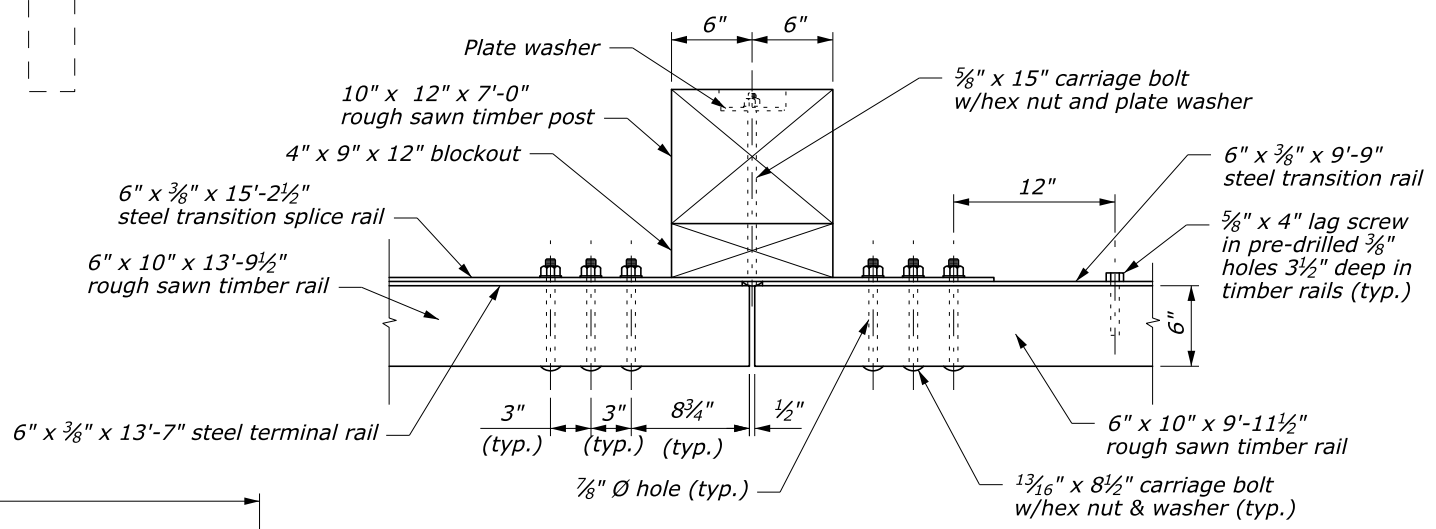
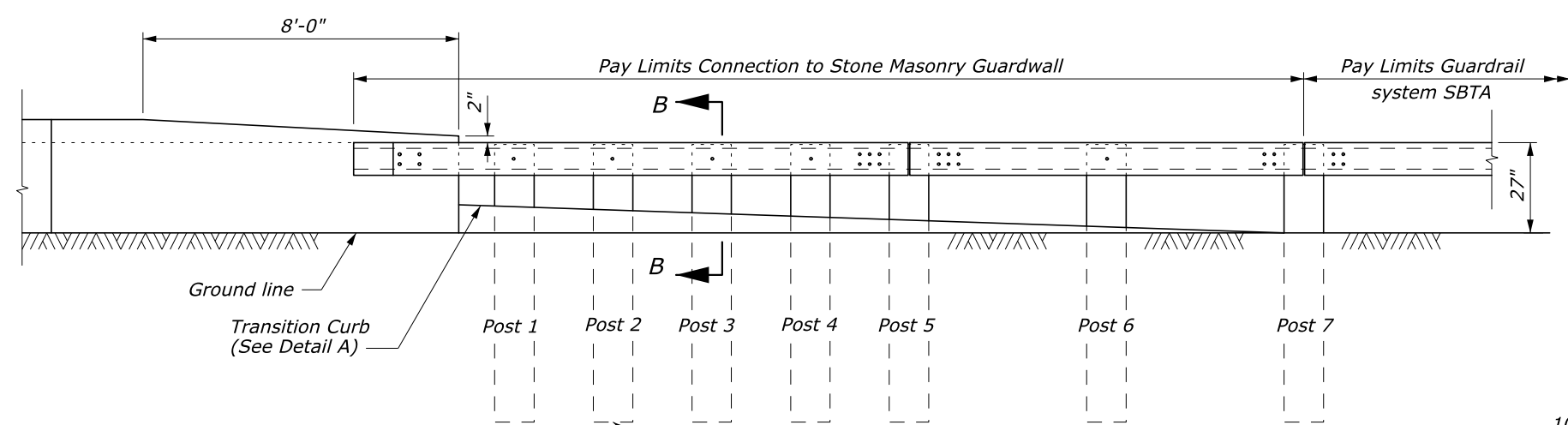


NOTE:

1. See Sheet 2 of 2 for Sections A-A through C-C, steel rail layouts, and other details.
2. Use weathering steel for all structural steel and fastener hardware.
3. Transition curbing (including dowel) will be paid for at the contract unit price for transition curbing.
4. Install transition curbing of material type specified in plans.
5. Curb may be continuous or slabs at least 4'-11" in length. Install faces of slabs evenly and with maximum 1/8" separation.
6. If contract requires steel post, substitute wood post with 6" x 9" x 6'-6" long steel post.



NO SCALE

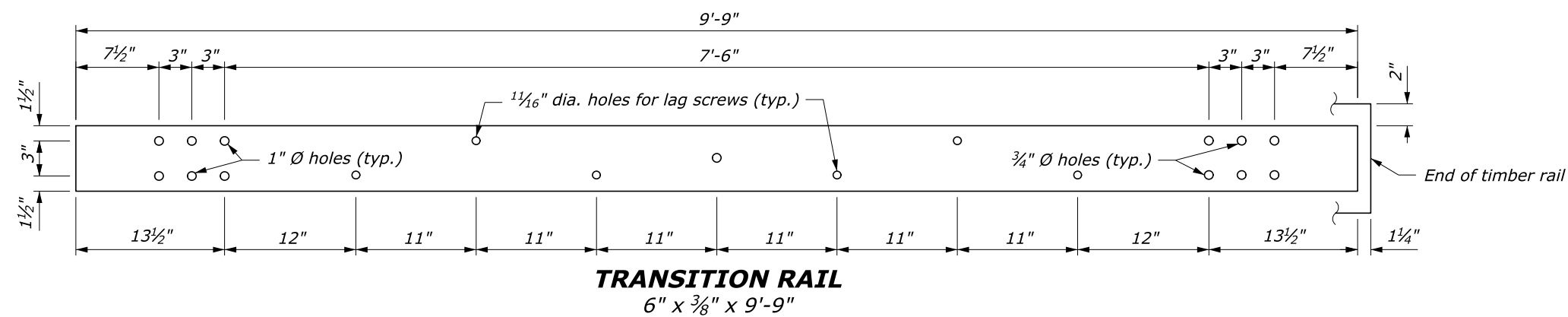
U.S. DEPARTMENT OF TRANSPORTATION
 FEDERAL HIGHWAY ADMINISTRATION
 EASTERN FEDERAL LANDS HIGHWAY DIVISION

U.S. CUSTOMARY DETAIL
**STEEL-BACKED TIMBER GUARDRAIL
 TL-3 CONNECTION TO
 STONE MASONRY GUARDWALL**
 Sheet 1 of 2

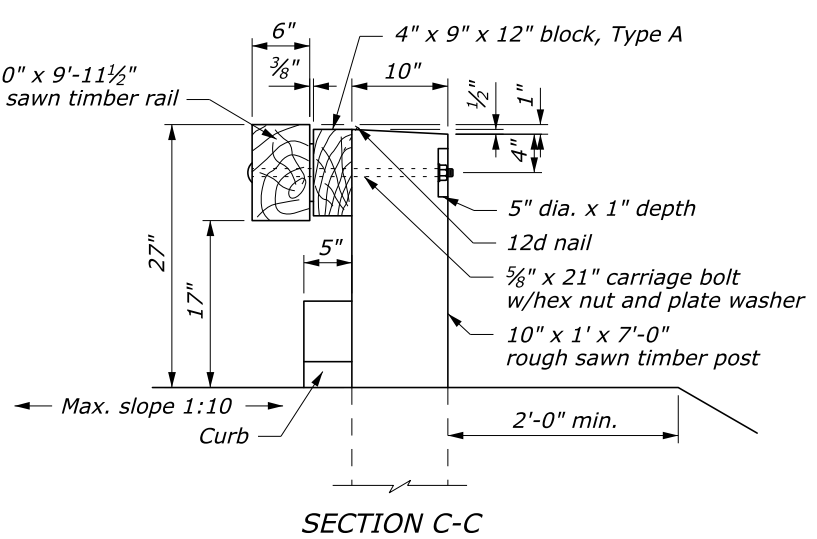
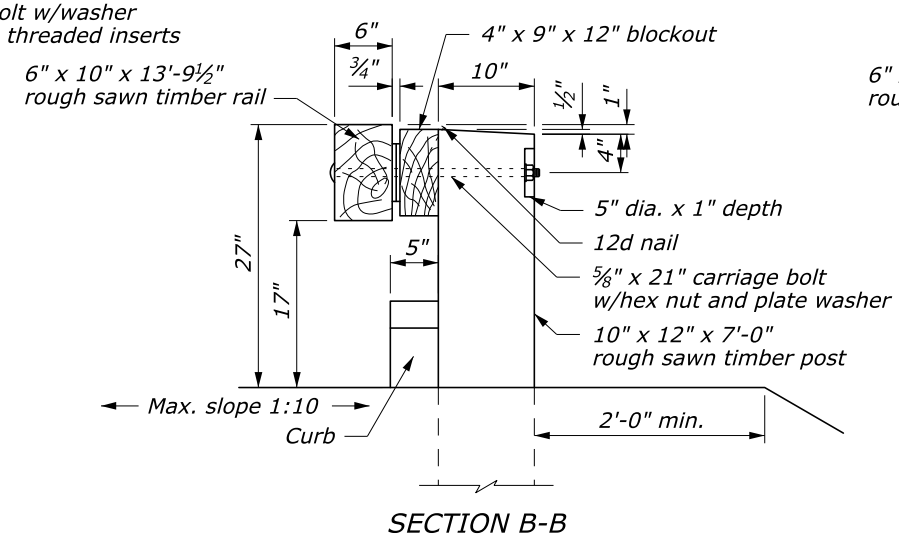
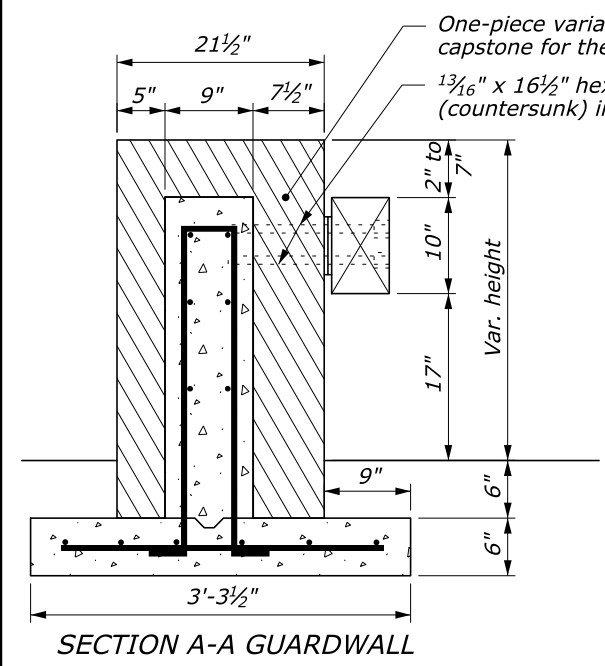
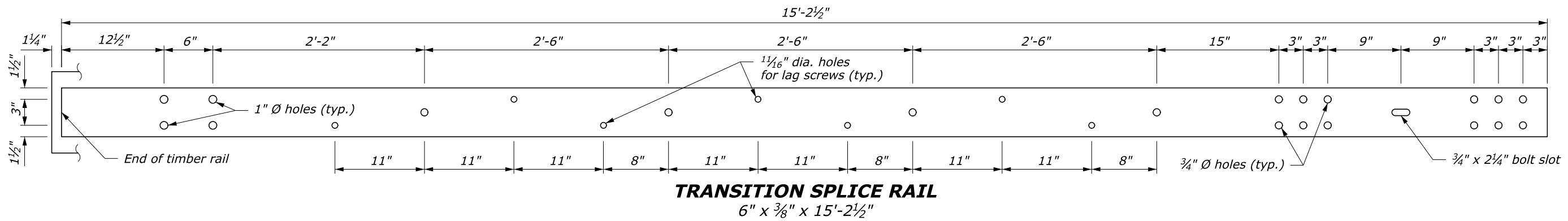
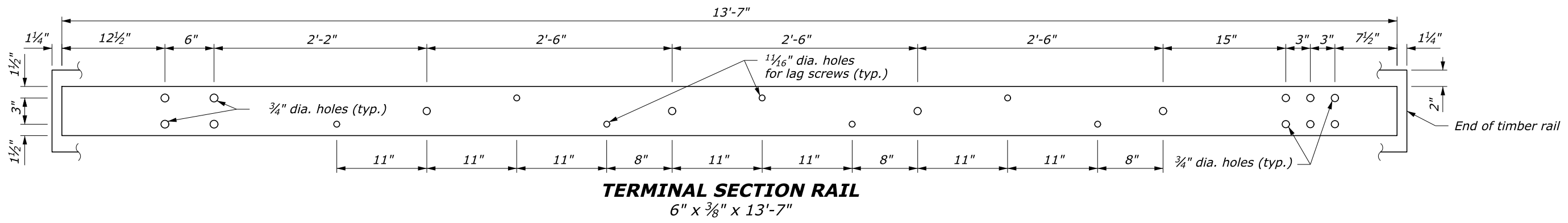
REVIS: 1/2008 5/2016

DETAIL
 ET 617-65

02-May-2016 09:05 AM M:\Standards_and_Details\EF\LD_Detail\Drawings\FP-4\Updates ET Details 4-2016\61765.dgn



NOTE:
1. Pre-drill 1 1/16" holes in blocks outs and posts.



U.S. DEPARTMENT OF TRANSPORTATION
FEDERAL HIGHWAY ADMINISTRATION
EASTERN FEDERAL LANDS HIGHWAY DIVISION

U.S. CUSTOMARY DETAIL
**STEEL-BACKED TIMBER GUARDRAIL
TL-3 CONNECTION TO
STONE MASONRY GUARDWALL**
Sheet 2 of 2

NO SCALE

REVIS: 1/2008 5/2016

DETAIL
ET 617-65

02-May-2016 09:06 AM M:\Standards_and_Details\EF\HJD_Detail\Drawings\FP-4\Updates ET_Details 4-2016\61765.dgn