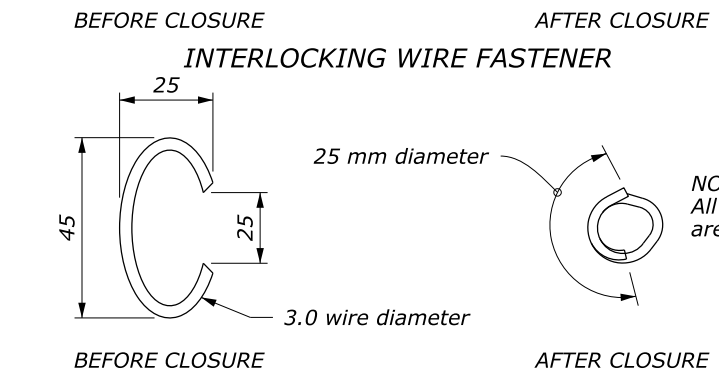
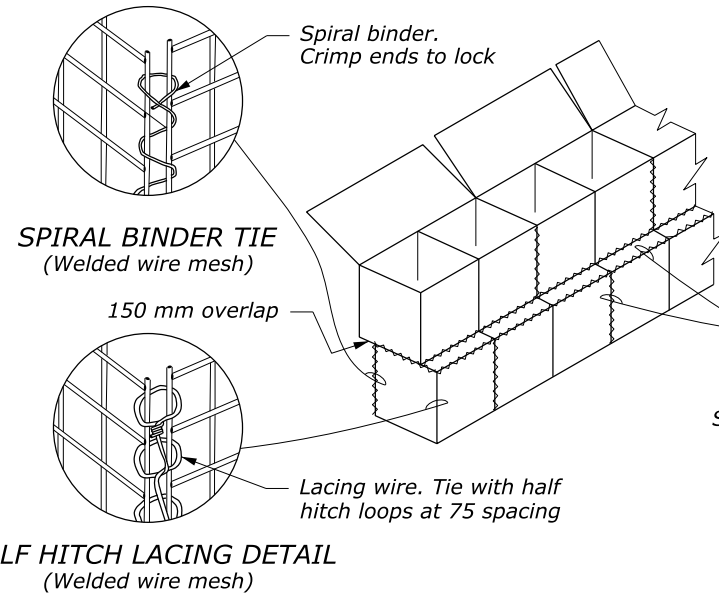
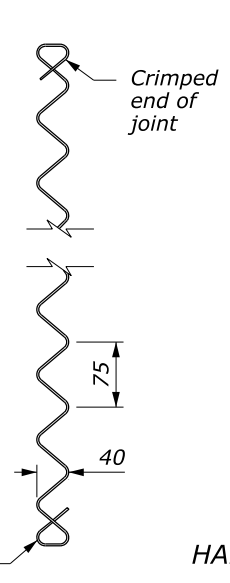


NOTE:  
All dimensions  
are nominal

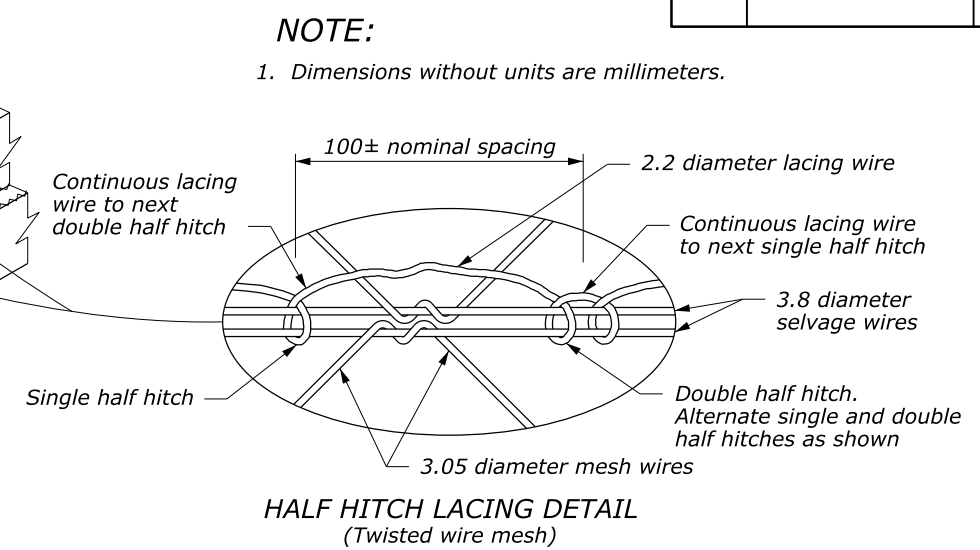


NOTE:  
All dimensions  
are nominal

**3.8 mm DIAMETER SPIRAL BINDER**



**HALF HITCH LACING DETAIL**  
(Welded wire mesh)

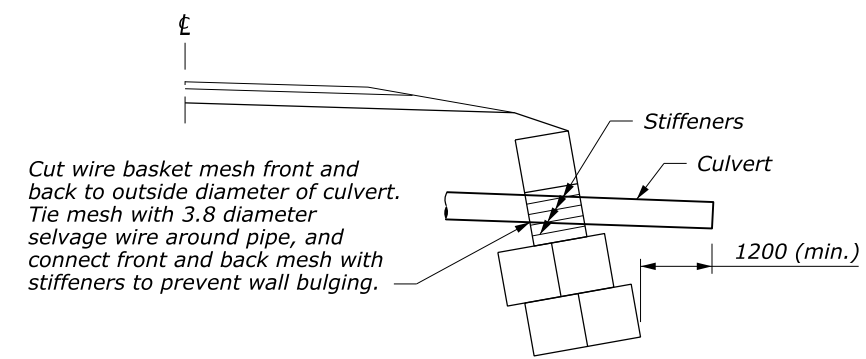


**NOTE:**

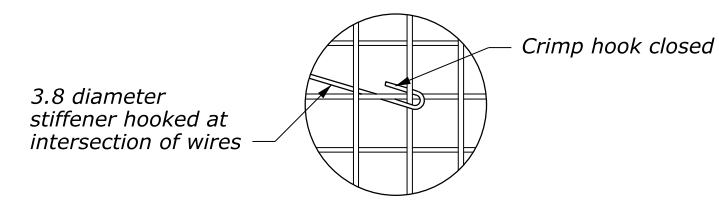
1. Dimensions without units are millimeters.

**TYPICAL INSTALLATION GABION BASKETS**

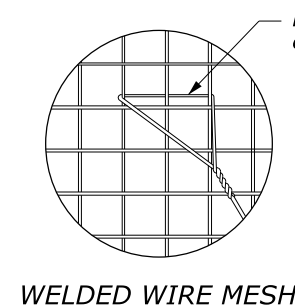
**OVERLAPPING RING WIRE FASTENER ALTERNATE TYING FASTENERS**



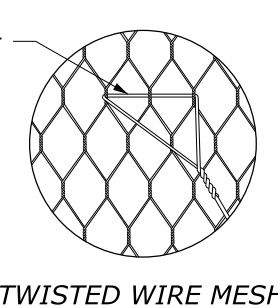
**TYPICAL CULVERT INSTALLATION THROUGH GABION WALL**



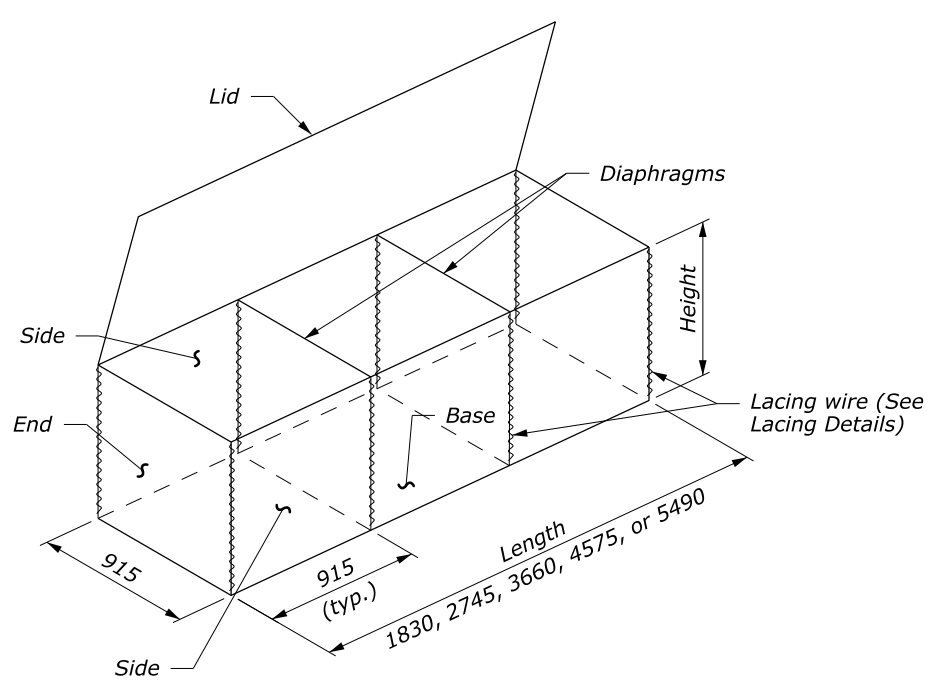
3.8 diameter stiffener hooked at intersection of wires



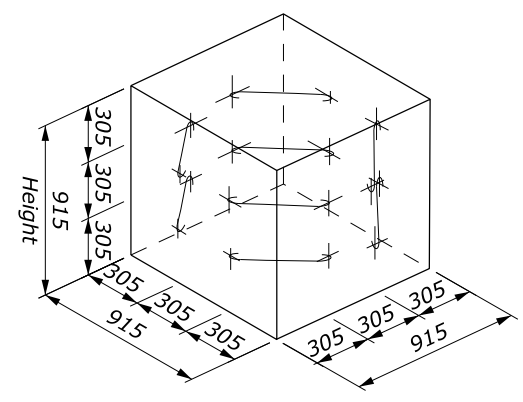
**WELDED WIRE MESH**



**TWISTED WIRE MESH**

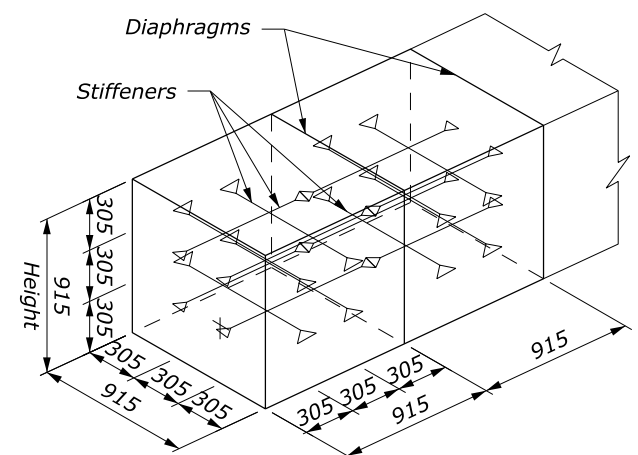


**TYPICAL ASSEMBLED GABION BASKET**

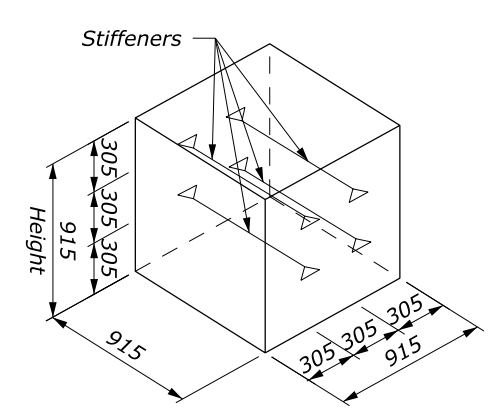


**ALL GABION CELLS  
OPTIONAL STIFFENERS  
WELDED WIRE GABION BASKET**

Size Code Letter	Size in meters		Diaphragm Partitions	Capacity m3
	Length	Height		
A	1.83	0.915	1	1.5
B	2.75	0.915	2	2.3
C	3.66	0.915	3	3.1
X	4.58	0.915	4	3.8
Y	5.49	0.915	5	4.6



**ALL END GABION CELLS**



**ALL INTERIOR GABION CELLS**

**TYPICAL STIFFENERS**

NO SCALE

U.S. DEPARTMENT OF TRANSPORTATION  
FEDERAL HIGHWAY ADMINISTRATION  
WESTERN FEDERAL LANDS HIGHWAY DIVISION

METRIC DETAIL

**GABION FACED WALL**

DETAIL APPROVED FOR USE --/----

REVISID: 9/2011  
DRAFT: 9/2011

DETAIL WM253-2