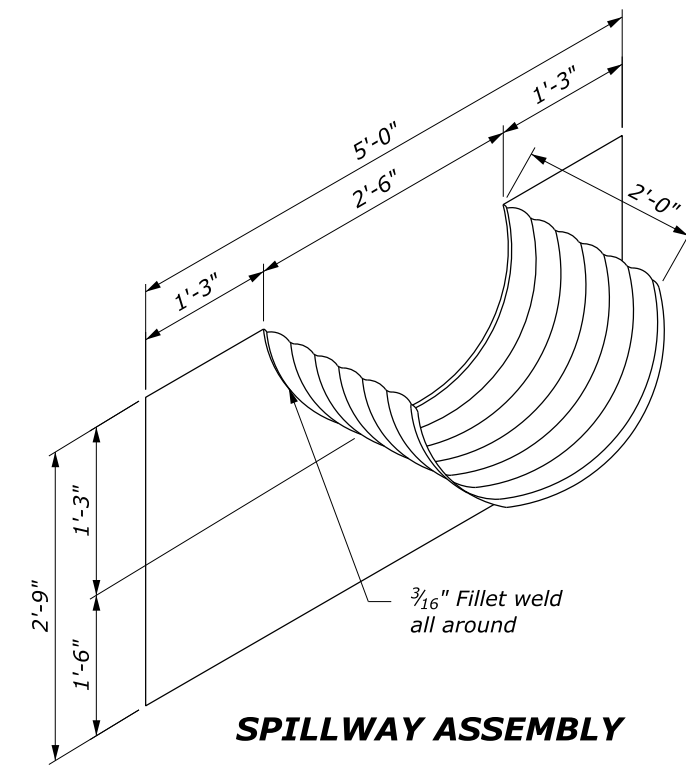


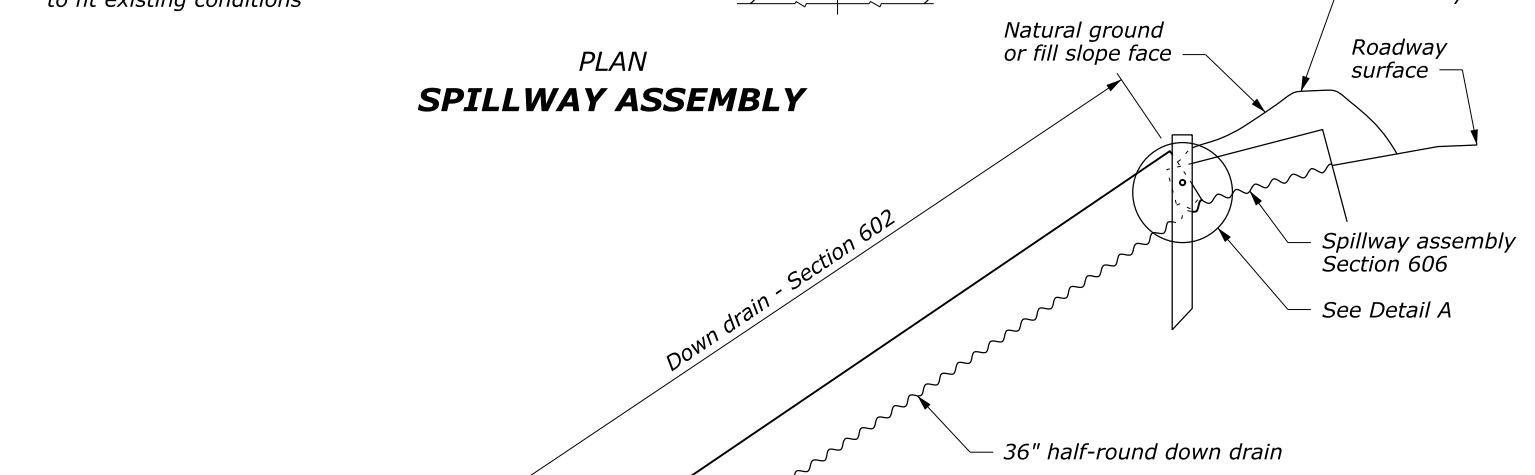
**PLAN
SPILLWAY ASSEMBLY**

Dimensions shown are subject to field adjustment to fit existing conditions

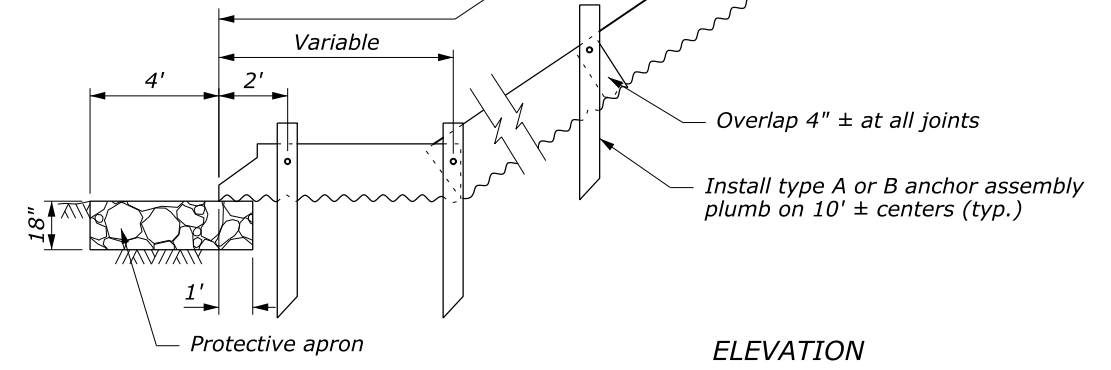


SPILLWAY ASSEMBLY

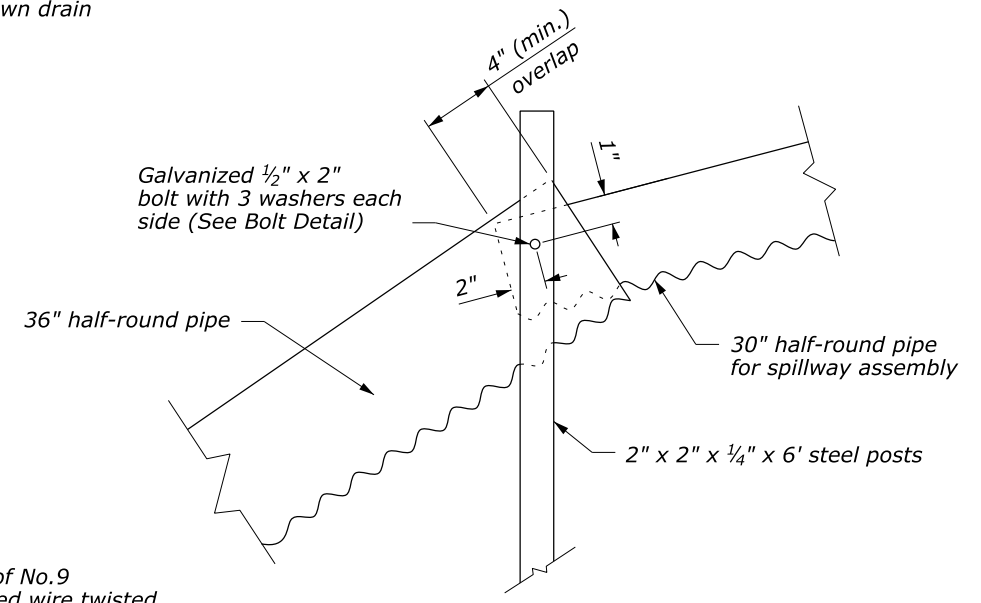
- NOTE:**
1. Fabricate spillway assembly from 0.064 inch thick galvanized steel or 0.060 inch aluminum.
 2. Place Class 2 riprap conforming to Section 251 for protective apron.
 3. Construct down drain from annular corrugated pipe, or from helically corrugated pipe with factory annular or flanged reformed ends.
 4. Approved alternate designs may be used.



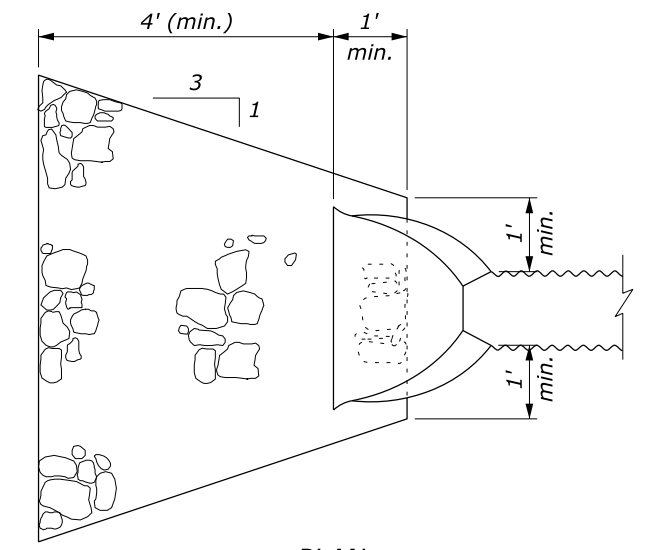
**ELEVATION
SPILLWAY ASSEMBLY AND DOWN DRAIN**



Protective apron

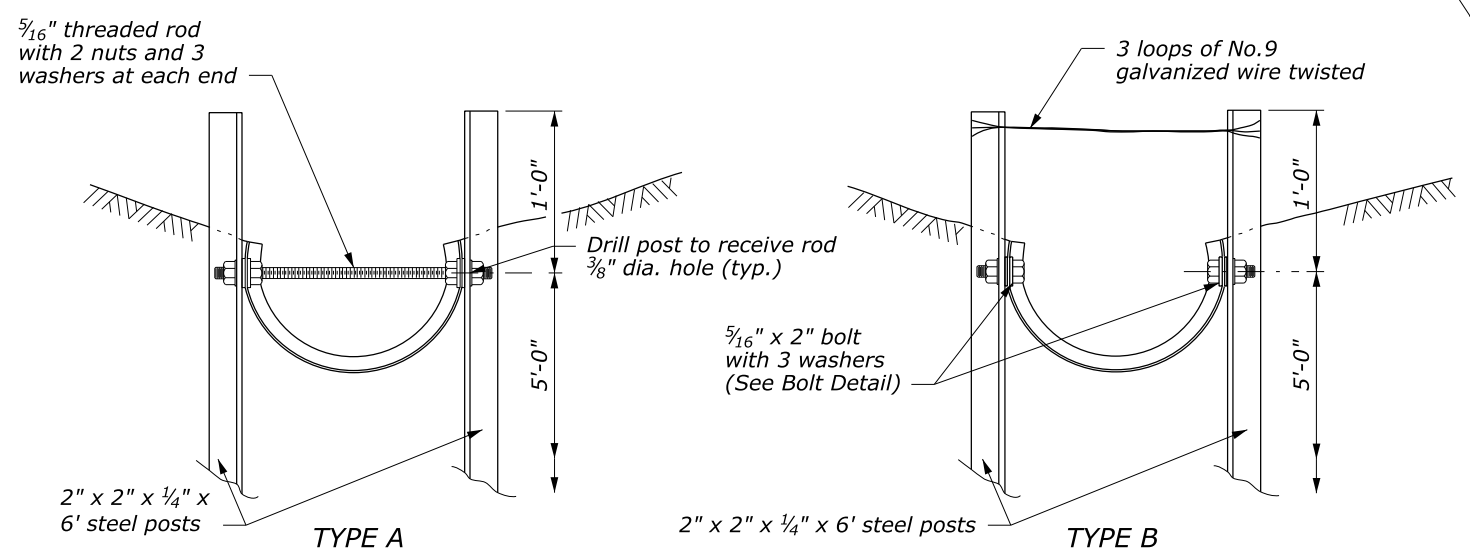


DETAIL A

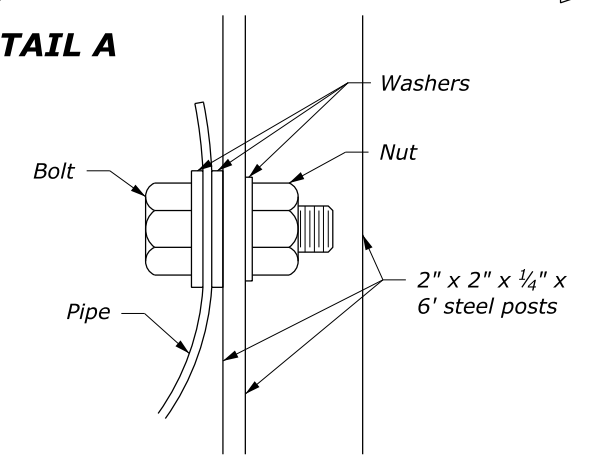


PLAN

PROTECTIVE APRON



ANCHOR ASSEMBLY



BOLT DETAIL

NO SCALE

U.S. DEPARTMENT OF TRANSPORTATION FEDERAL HIGHWAY ADMINISTRATION WESTERN FEDERAL LANDS HIGHWAY DIVISION	
U.S. CUSTOMARY DETAIL	
SPILLWAY ASSEMBLY WITH HALF-ROUND DOWN DRAIN	
DETAIL APPROVED FOR USE 10/2009	DETAIL
REVISED:	W606-12