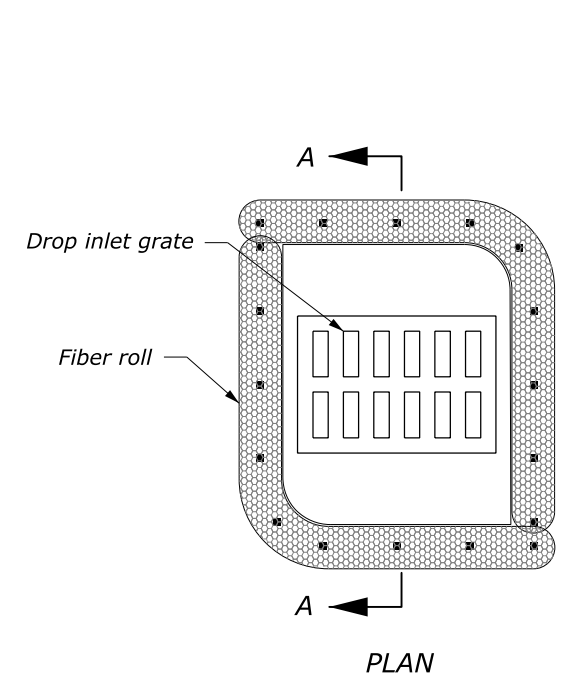
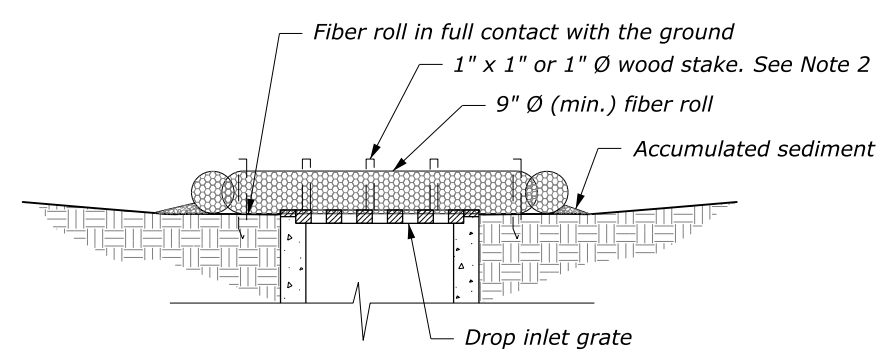


NOTE:

1. Select the inlet protection device to fit field conditions as approved by the CO.
2. Install fiber rolls with stakes spaced no more than 24-inches on center. Drive stakes 12-inches (min.) in undisturbed soil.
3. Approximate finished dimension of gravel bags is 12-inches x 18-inches.
4. Maximum top of gravel bag spillway elevation = Top of curb minus 1-inch.
5. Pack gravel filled bags tightly together end to end to ensure no sediment flows between or underneath the bags. Where tight fit is unachievable, install geotextile filter, class 2, type C along the upstream face of the bags. Place fabric over the top of the bags to the spillway elevation. Anchor the fabric by placing the next layer of bags on top of it. Extend the geotextile fabric a minimum of 18-inches upstream of the bags. Cover geotextile fabric to the top of the fabric with clean, silt-free coarse aggregate between 2-inches and 3-inches in diameter.
6. Size the prefabricated filter insert (Type C) to fit the drop inlet and allow collected material removal without spillage. Include a high-flow bypass in the insert.

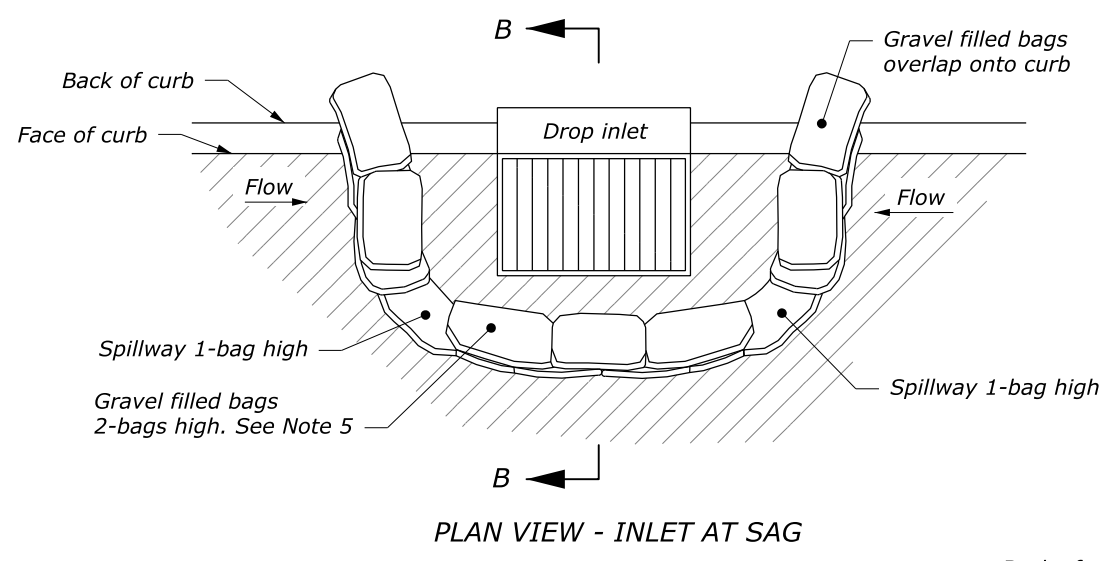


PLAN

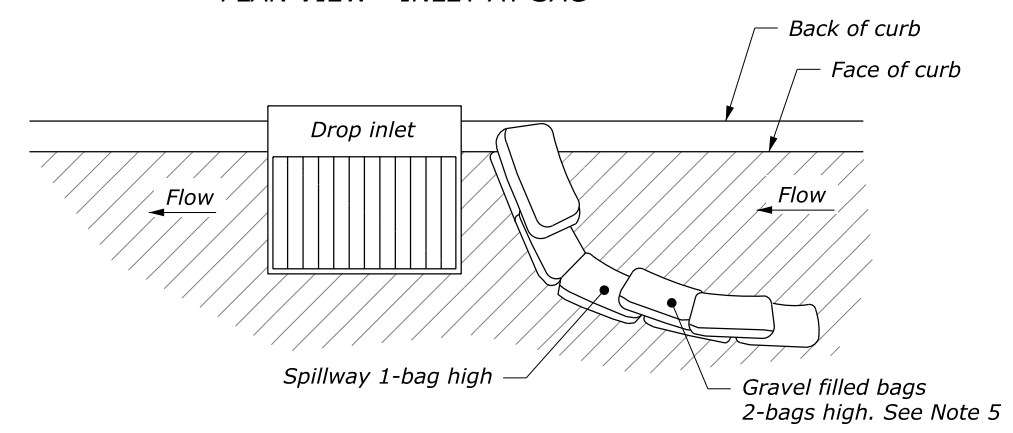


SECTION A-A

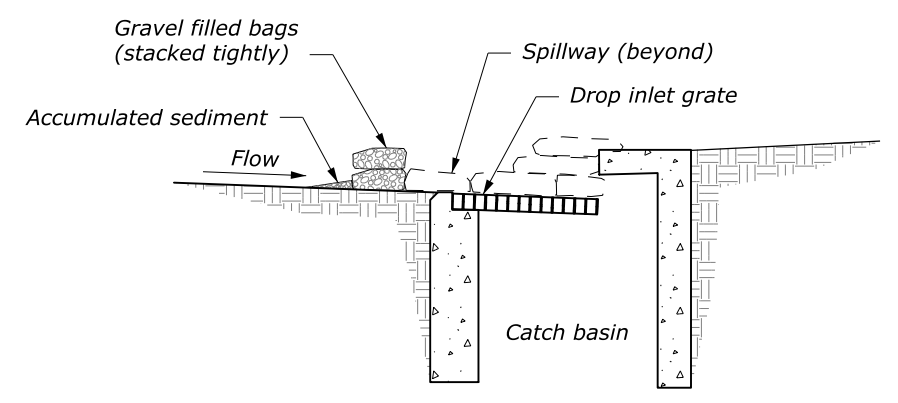
**FIBER ROLL
DROP INLET PROTECTION (TYPE A)**



PLAN VIEW - INLET AT SAG

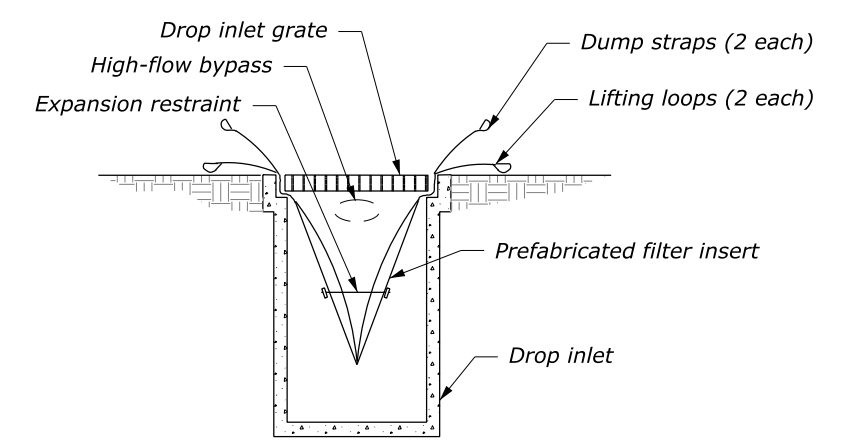


PLAN VIEW - INLET ON GRADE



SECTION B-B

**GRAVEL BAG BERM
DROP INLET PROTECTION (TYPE B)**



**PREFABRICATED FILTER INSERT
DROP INLET PROTECTION (TYPE C)**

See Note 6

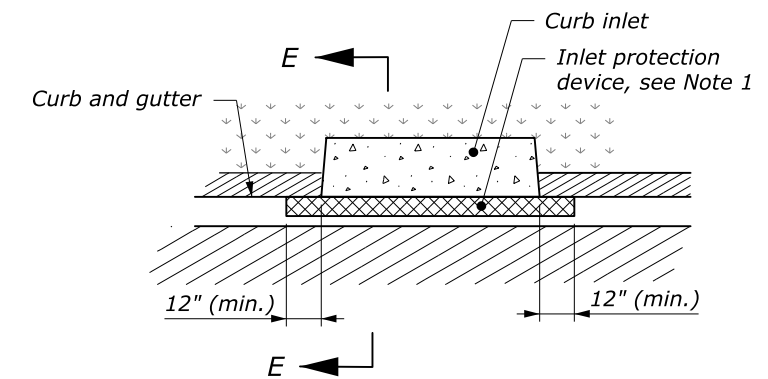
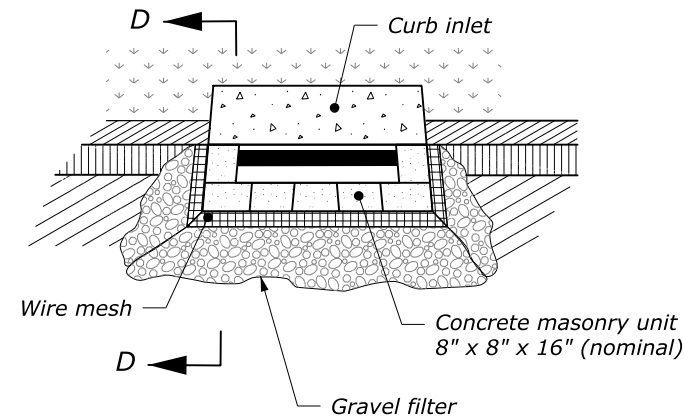
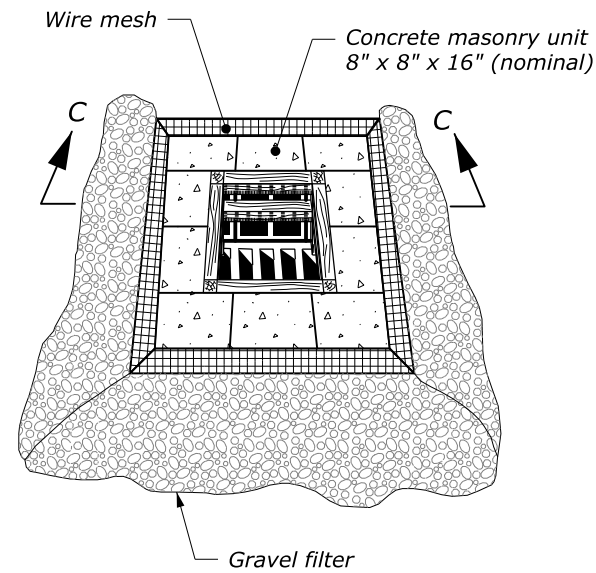
NO SCALE

U.S. DEPARTMENT OF TRANSPORTATION FEDERAL HIGHWAY ADMINISTRATION WESTERN FEDERAL LANDS HIGHWAY DIVISION	
U.S. CUSTOMARY DETAIL TEMPORARY INLET PROTECTION Sheet 1 of 2	
DETAIL APPROVED FOR USE --/----	DETAIL W157-2
REVISED: 7/2016	

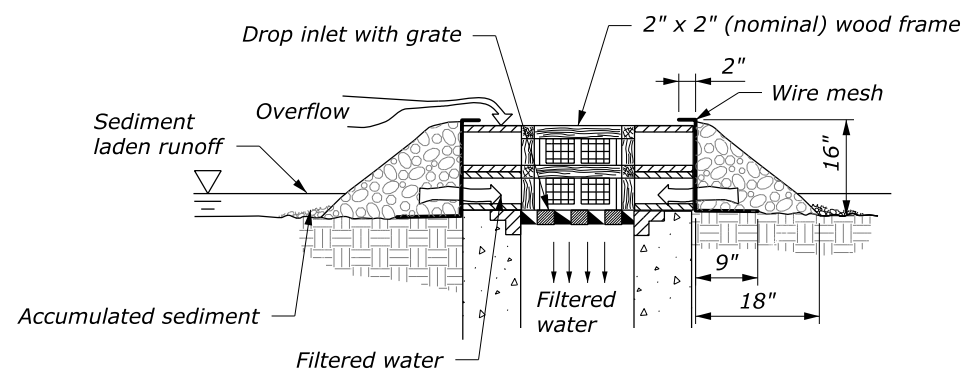
c:\myfiles\pw_production\dms43148\W157-2.dgn [USC] 7 July 2016 11:50 AM

NOTE:

1. Inlet protection device (type E) may consist of continuous filter tubing filled with gravel or other prefabricated filter material. Install device according to manufacturer's recommendations.
2. Vary dimensions to fit field conditions.

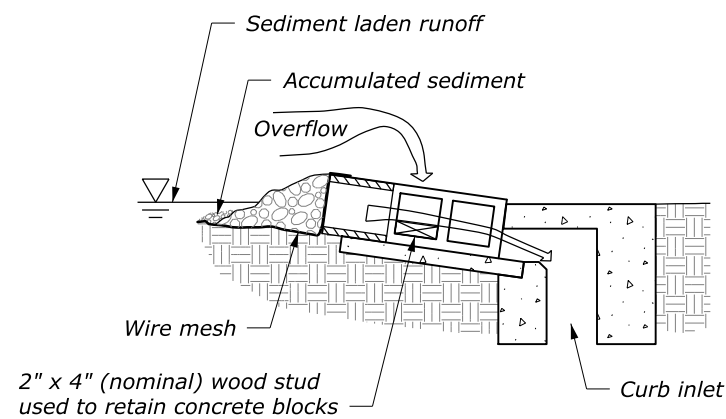


PLAN



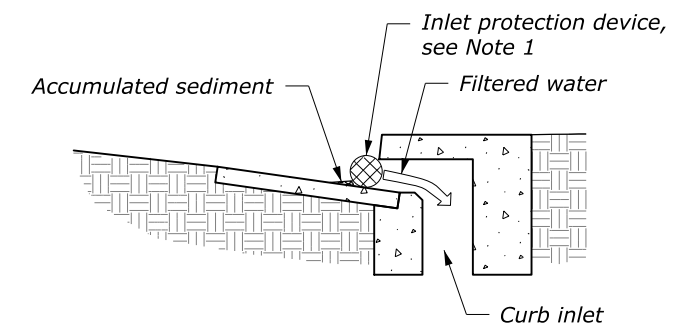
SECTION C-C

**BLOCK AND GRAVEL
DROP INLET PROTECTION (TYPE D1)**



SECTION D-D

**BLOCK AND GRAVEL
CURB INLET PROTECTION (TYPE D2)**



SECTION E-E

**INLET PROTECTION DEVICE
CURB INLET PROTECTION (TYPE E)**

NO SCALE

U.S. DEPARTMENT OF TRANSPORTATION FEDERAL HIGHWAY ADMINISTRATION WESTERN FEDERAL LANDS HIGHWAY DIVISION	
U.S. CUSTOMARY DETAIL TEMPORARY INLET PROTECTION Sheet 2 of 2	
DETAIL APPROVED FOR USE --/----	DETAIL
REVISED: 7/2016	W157-2