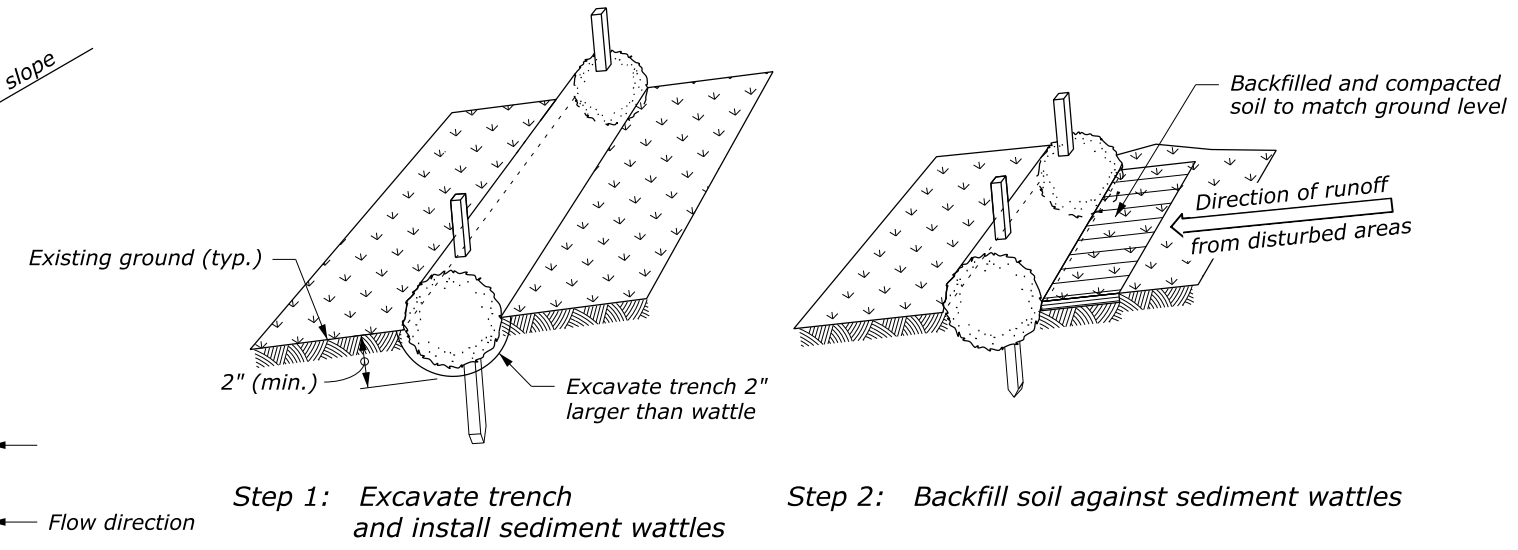


INSTALLATION BEYOND TOE OF SLOPE

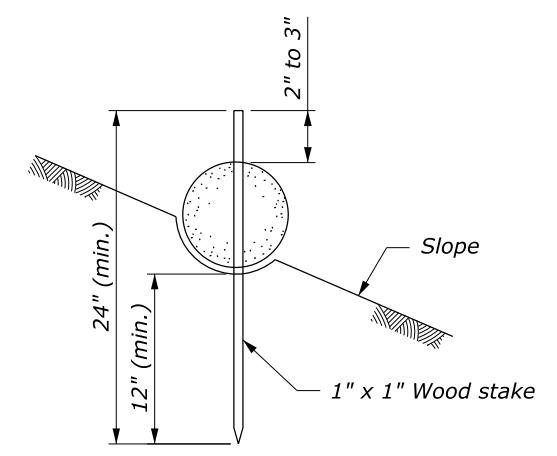


PROPERLY STAKED AND ENTRENCHED SEDIMENT WATTLE

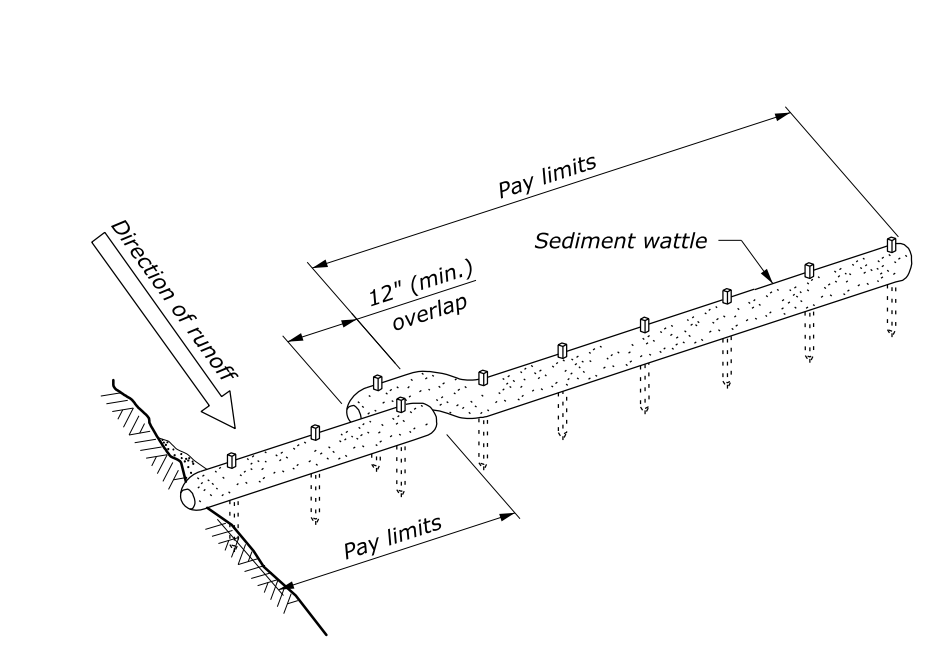
WATTLE SPACING	
Slope	Spacing (FT)
1:4 or flatter	40
1:3	30
1:2	20
1:1	10

STAKES REQUIRED	
Wattle length (FT)	Stakes required for each wattle
25	8
20	6
12	4

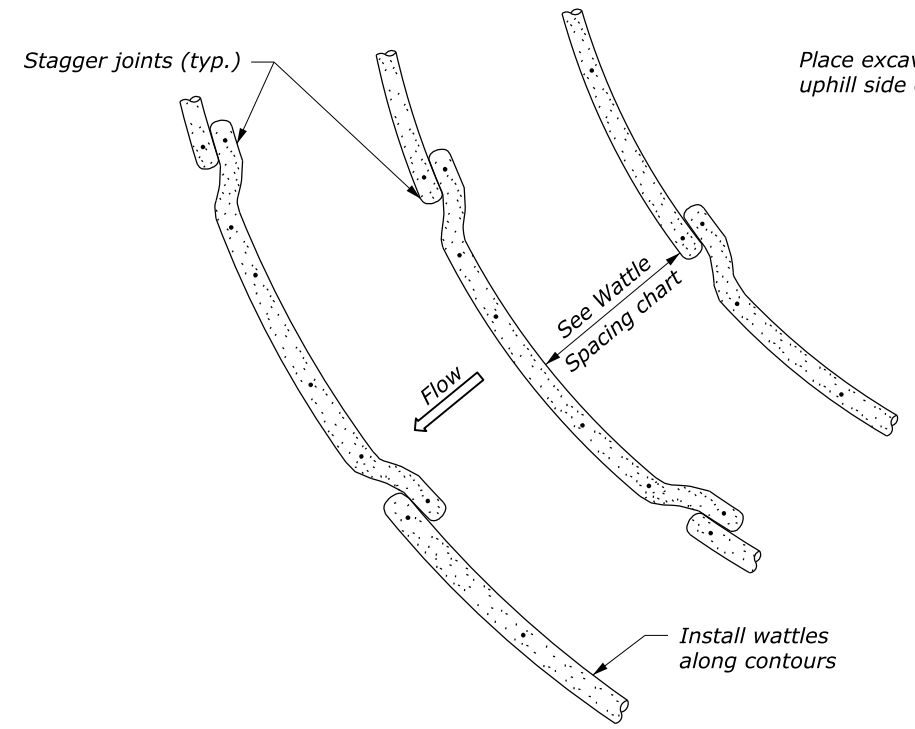
- NOTE:**
1. Drive stakes at each end and at 4-foot spacing until wattle is secure to slope. Live stakes may be used for permanent installations. Do not crush wattle while staking.
 2. Overlap wattles 12-inch minimum. Drive stakes at 6-inches from wattle end angles towards the adjacent wattles and space stakes at 4-foot max.



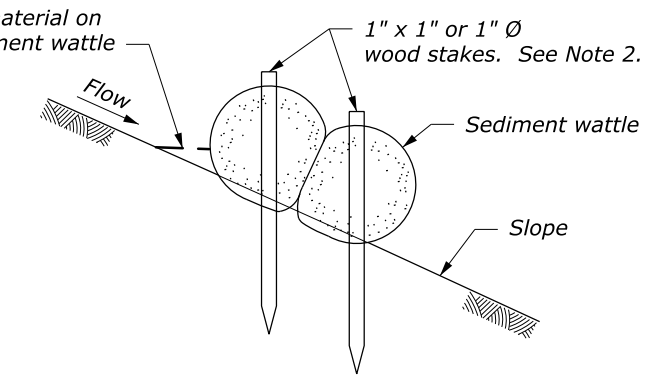
SEDIMENT WATTLE STAKING DETAIL



**ALTERNATE SEDIMENT WATTLE JOINT DETAIL
SLOPE PROTECTION INSTALLATION**



INSTALLATION ALONG SLOPES



SEDIMENT WATTLE LAPPING DETAIL

U.S. DEPARTMENT OF TRANSPORTATION FEDERAL HIGHWAY ADMINISTRATION WESTERN FEDERAL LANDS HIGHWAY DIVISION	
U.S. CUSTOMARY DETAIL	
SEDIMENT WATTLE	
DETAIL APPROVED FOR USE 10/2014	DETAIL
REVISED: DRAFT: 7/2016	W157-20

NO SCALE