

Step 1: Excavate trench and install sediment wattles

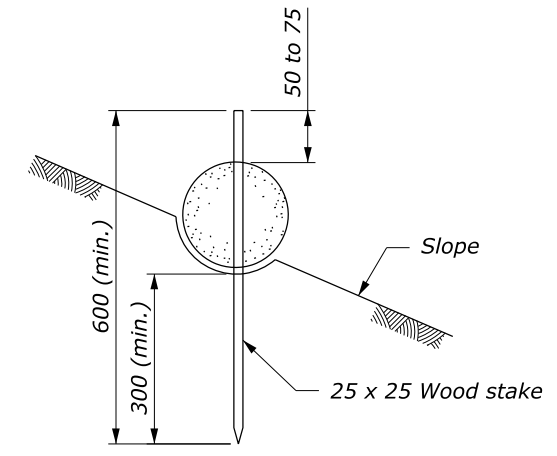
Step 2: Backfill soil against sediment wattles

PROPERLY STAKED AND ENTRENCHED SEDIMENT WATTLE

WATTLE SPACING	
Slope	Spacing (m)
1:4 or flatter	12
1:3	9
1:2	6
1:1	3

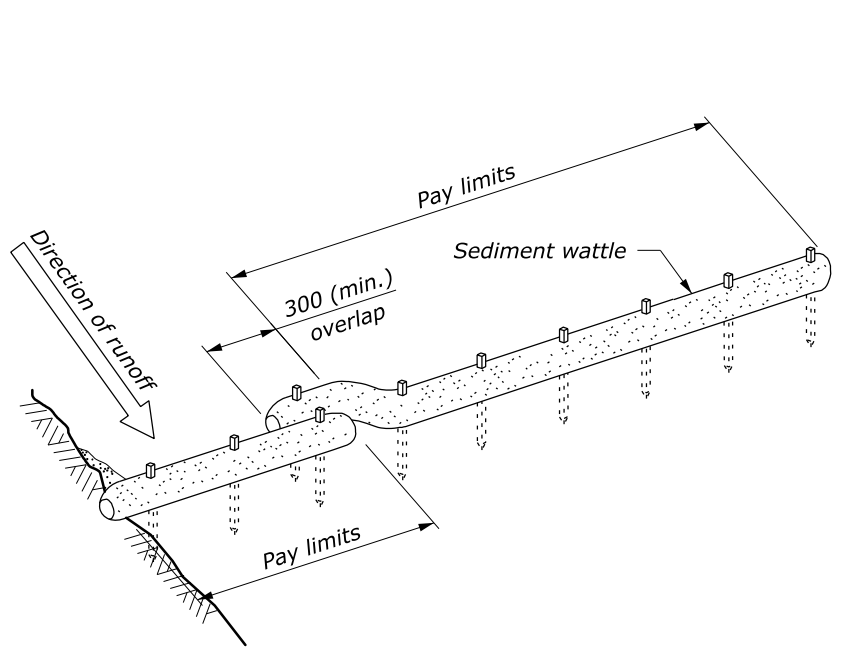
STAKES REQUIRED	
Wattle length (m)	Stakes required for each wattle
7.5	8
6.0	6
3.5	4

- NOTE:**
1. Drive stakes at each end and at 1.2 m spacing until wattle is secure to slope. Live stakes may be used for permanent installations. Do not crush wattle while staking.
 2. Overlap wattles 300 mm minimum. Drive stakes at 150 mm from wattle end angles towards the adjacent wattle and space stakes at 1.2 meters max.
 3. Dimensions without units are millimeters.

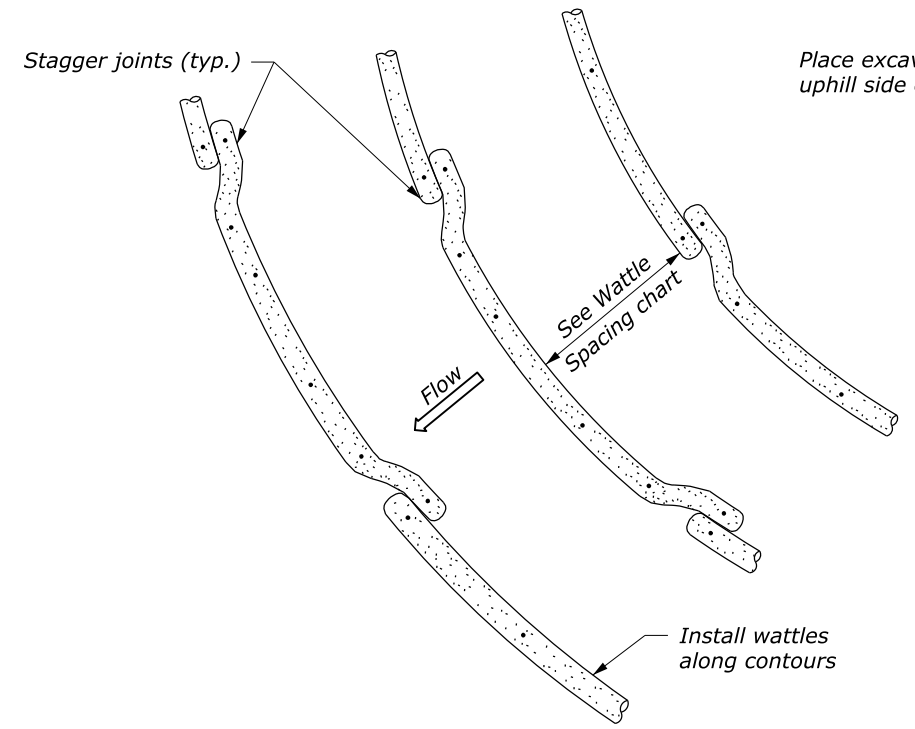


SEDIMENT WATTLE STAKING DETAIL

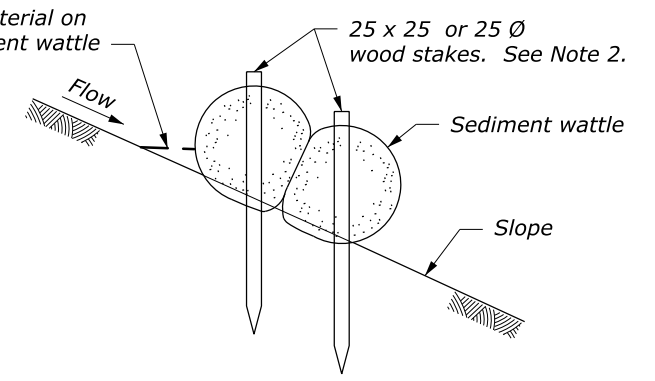
INSTALLATION BEYOND TOE OF SLOPE



ALTERNATE SEDIMENT WATTLE JOINT DETAIL SLOPE PROTECTION INSTALLATION



INSTALLATION ALONG SLOPES



SEDIMENT WATTLE LAPPING DETAIL

U.S. DEPARTMENT OF TRANSPORTATION FEDERAL HIGHWAY ADMINISTRATION WESTERN FEDERAL LANDS HIGHWAY DIVISION	
METRIC DETAIL	
SEDIMENT WATTLE	
DETAIL APPROVED FOR USE 10/2014	DETAIL
REVISED: 7/2016	MW157-20

NO SCALE