

Step 1: Excavate trench and install fiber rolls

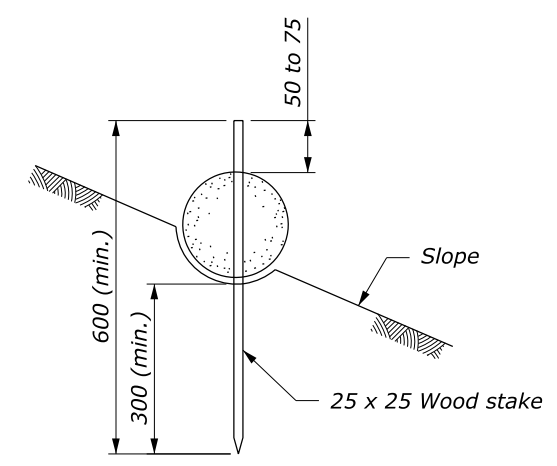
Step 2: Backfill soil against fiber rolls

PROPERLY STAKED AND ENTRENCHED FIBER ROLL

FIBER ROLL SPACING	
Slope	Spacing (m)
1:4 or flatter	12
1:3	9
1:2	6
1:1	3

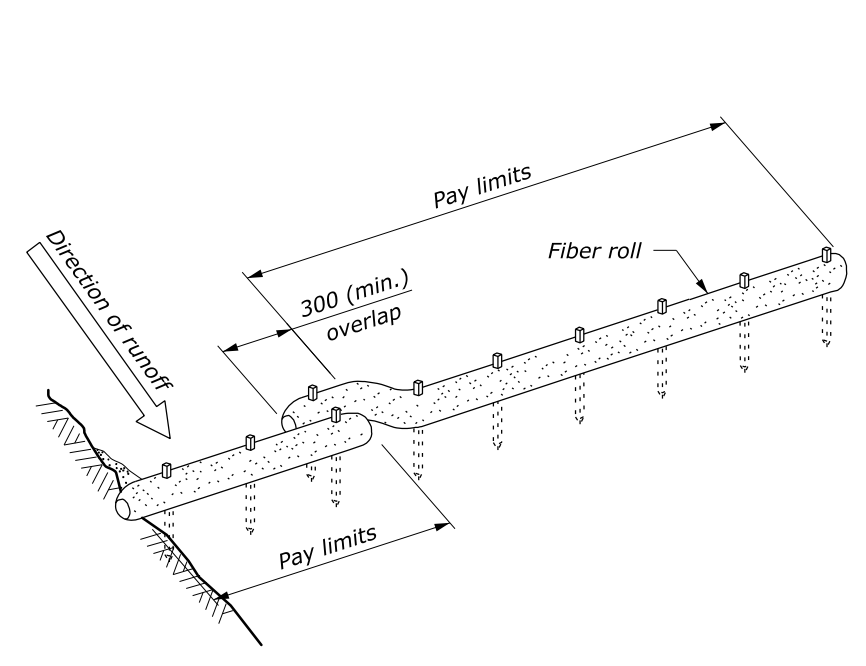
STAKES REQUIRED	
Fiber roll length (m)	Stakes required for each roll
7.5	8
6.0	6
3.5	4

- NOTE:**
1. Drive stakes at each end and at 1.2 m spacing until fiber roll is secure to slope. Live stakes may be used for permanent installations. Do not crush fiber roll while staking.
 2. Overlap fiber rolls 300 mm minimum. Drive stakes at 150 mm from fiber roll end angles towards the adjacent fiber roll and space stakes at 1.2 meters max.
 3. Dimensions without units are millimeters.

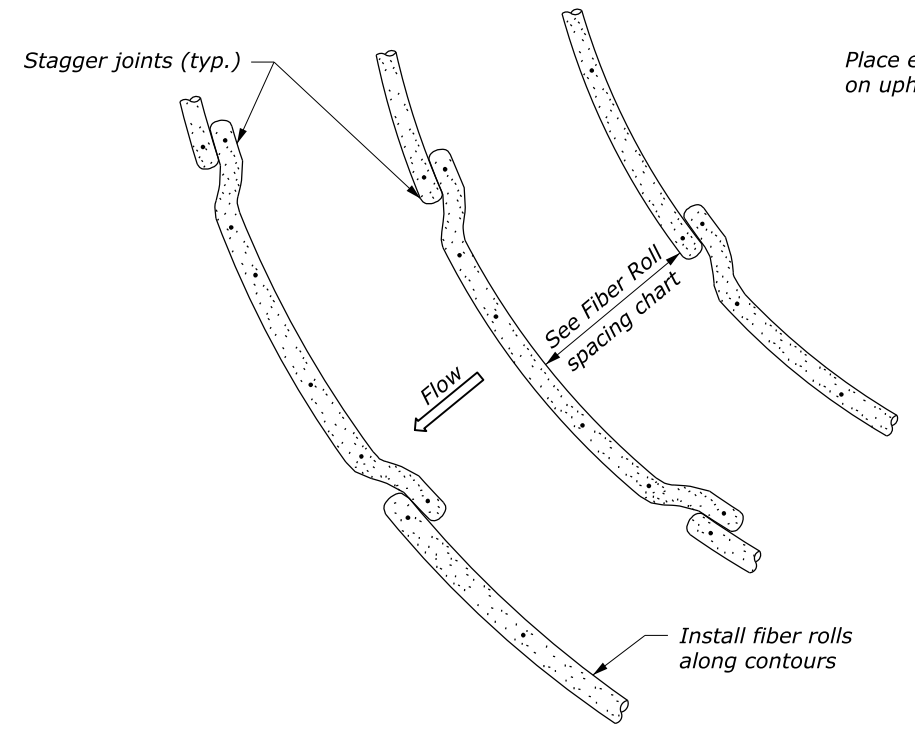


FIBER ROLL STAKING DETAIL

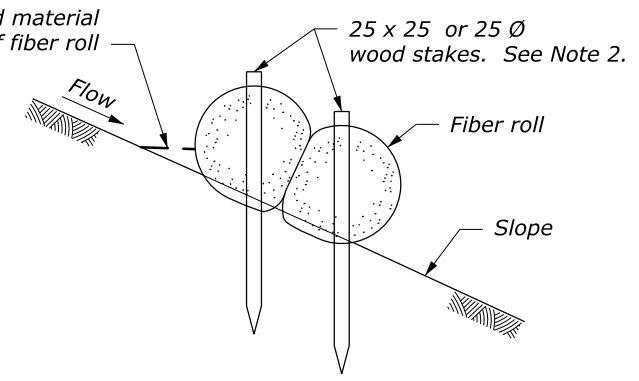
INSTALLATION BEYOND TOE OF SLOPE



**ALTERNATE FIBER ROLL JOINT DETAIL
SLOPE PROTECTION INSTALLATION**



INSTALLATION ALONG SLOPES



FIBER ROLL LAPPING DETAIL

U.S. DEPARTMENT OF TRANSPORTATION
FEDERAL HIGHWAY ADMINISTRATION
WESTERN FEDERAL LANDS HIGHWAY DIVISION

METRIC DETAIL

FIBER ROLL

DETAIL APPROVED FOR USE 10/2014

REVISID: 7/2016

DRAFT: 7/2016

DETAIL MW157-21

NO SCALE

c:\myfiles\pw_production\dms00742\W157-21.dgn [Metric] 14 July 2016 7:16 AM