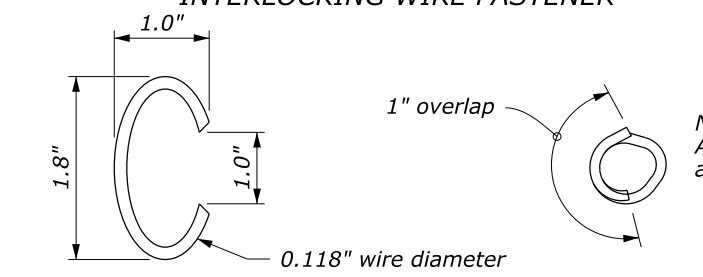


INTERLOCKING WIRE FASTENER
0.118" wire diameter

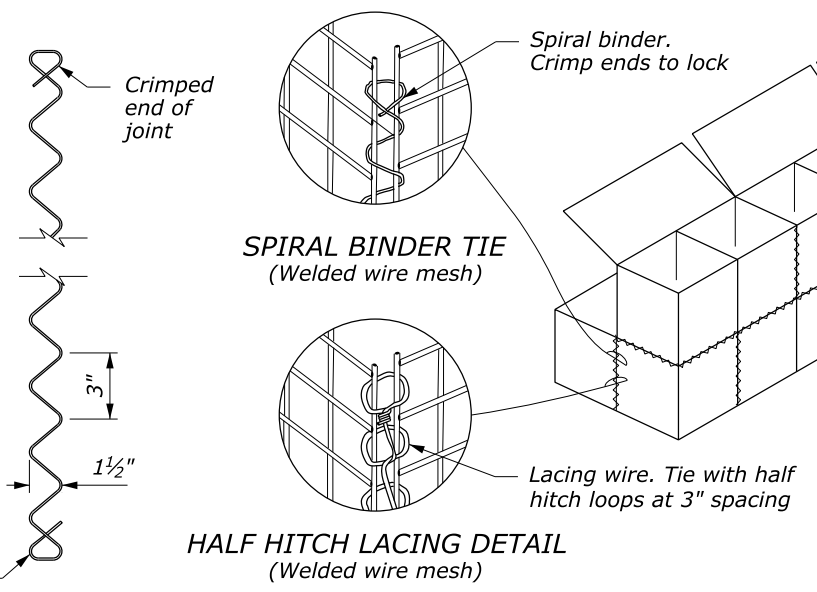


OVERLAPPING RING WIRE FASTENER
0.118" wire diameter

ALTERNATE TYING FASTENERS
(Not allowed for basket to basket connection)

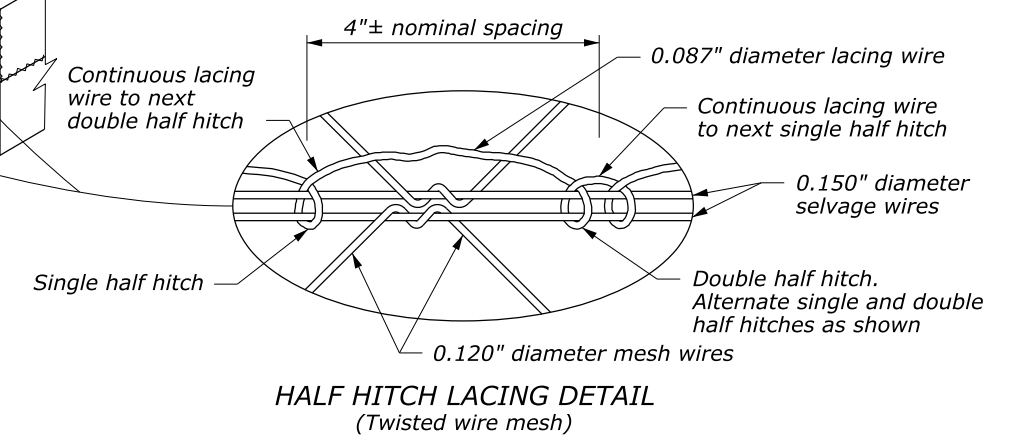
NOTE:
All dimensions
are nominal

NOTE:
All dimensions
are nominal



SPIRAL BINDER TIE
(Welded wire mesh)

HALF HITCH LACING DETAIL
(Welded wire mesh)

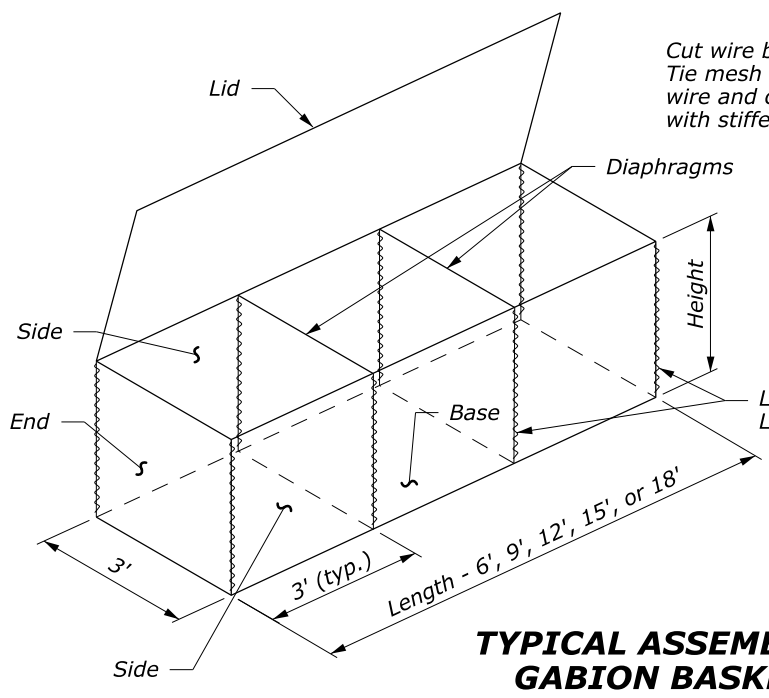


HALF HITCH LACING DETAIL
(Twisted wire mesh)

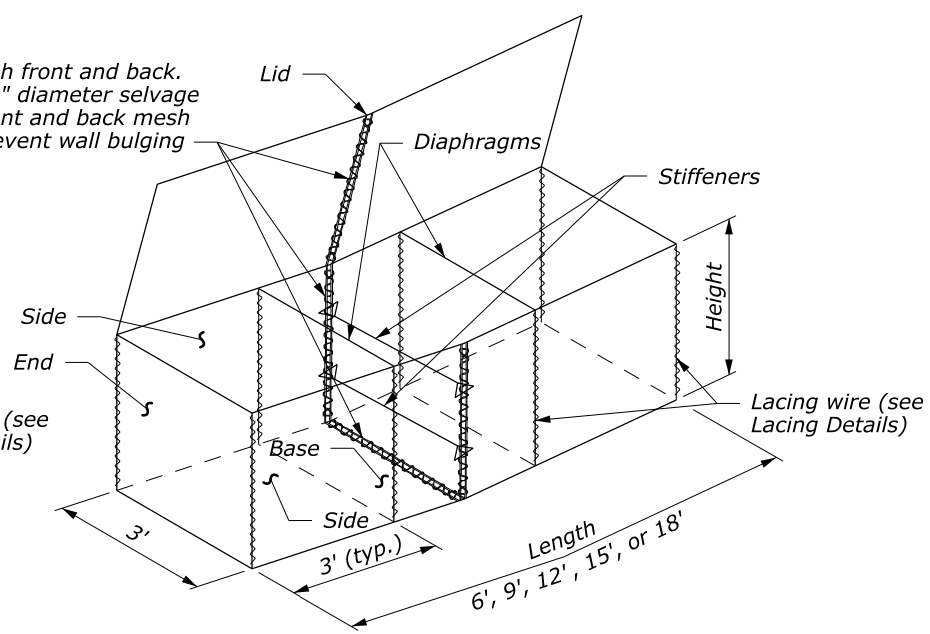
TYPICAL INSTALLATION GABION BASKETS

0.150" DIAMETER SPIRAL BINDER

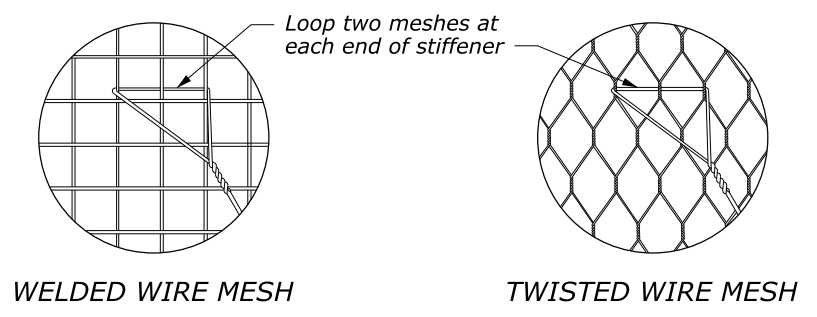
Cut wire basket mesh front and back. Tie mesh with 0.150" diameter selvage wire and connect front and back mesh with stiffeners to prevent wall bulging.



TYPICAL ASSEMBLED GABION BASKET

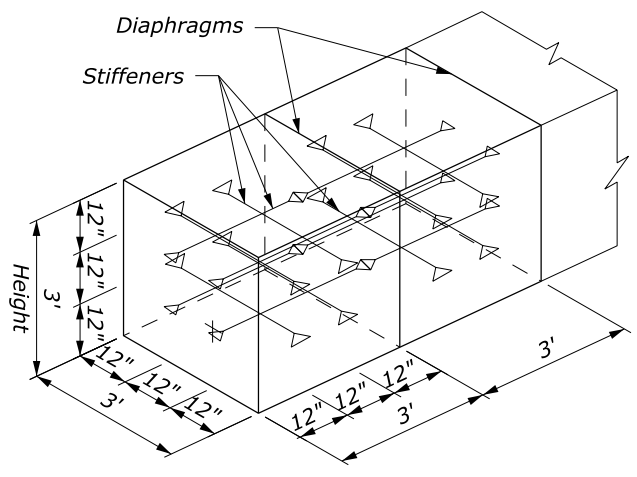


ASSEMBLED GABION BASKET IN WALL GRADE TRANSITION AREAS

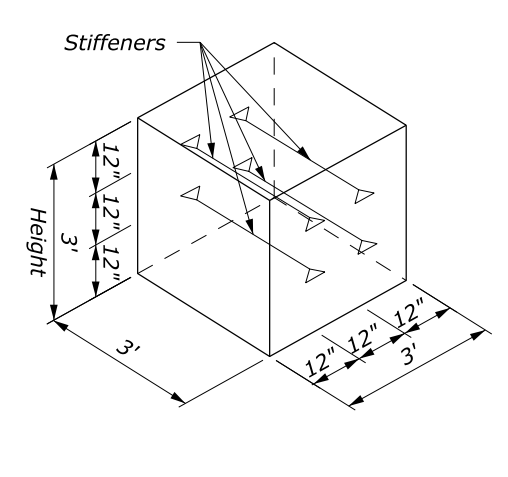


WELDED WIRE MESH

TWISTED WIRE MESH



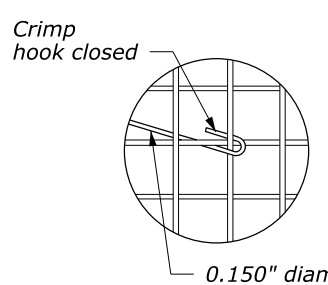
ALL END GABION CELLS



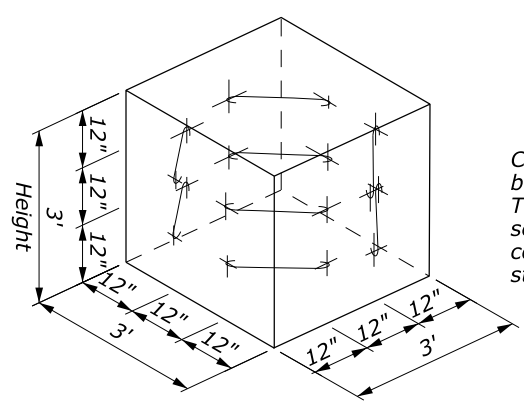
ALL INTERIOR GABION CELLS

TYPICAL STIFFENERS

GABION BASKET NOMINAL SIZES AND CAPACITY				
Size Code Letter	Size in feet		Diaphragm Partitions	Capacity (CUYD)
	Length	Height		
A	6	3.0	1	2.00
B	9	3.0	2	3.00
C	12	3.0	3	4.00
X	15	3.0	4	5.00
Y	18	3.0	5	6.00
D	6	1.5	1	1.00
E	9	1.5	2	1.50
F	12	1.5	3	2.00
G	6	1.0	1	0.67
H	9	1.0	2	1.00
I	12	1.0	3	1.33

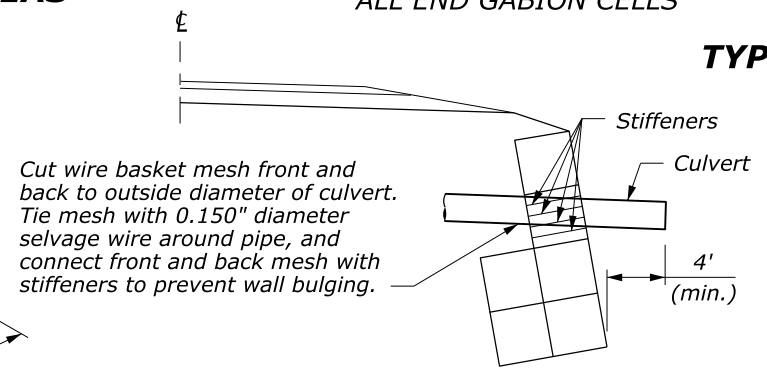


0.150" diameter stiffener hooked at intersection of wires



ALL GABION CELLS

OPTIONAL STIFFENERS WELDED WIRE GABION BASKET



TYPICAL CULVERT INSTALLATION THROUGH GABION WALL

NO SCALE

U.S. DEPARTMENT OF TRANSPORTATION
FEDERAL HIGHWAY ADMINISTRATION
WESTERN FEDERAL LANDS HIGHWAY DIVISION

U.S. CUSTOMARY DETAIL

GABION BASKET

DETAIL APPROVED FOR USE --/---
REVISED: 9/2011
DRAFT: 9/2011

DETAIL
W253-1