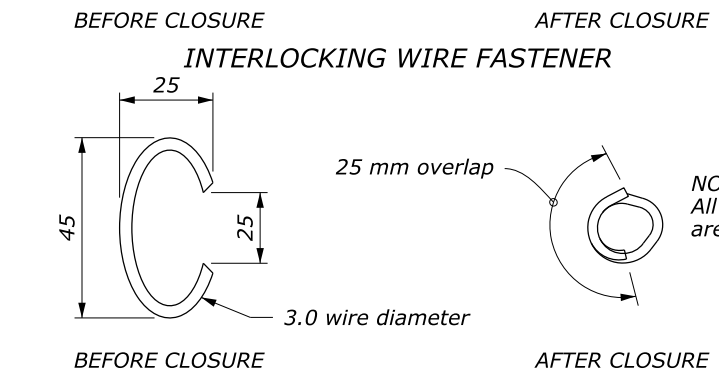


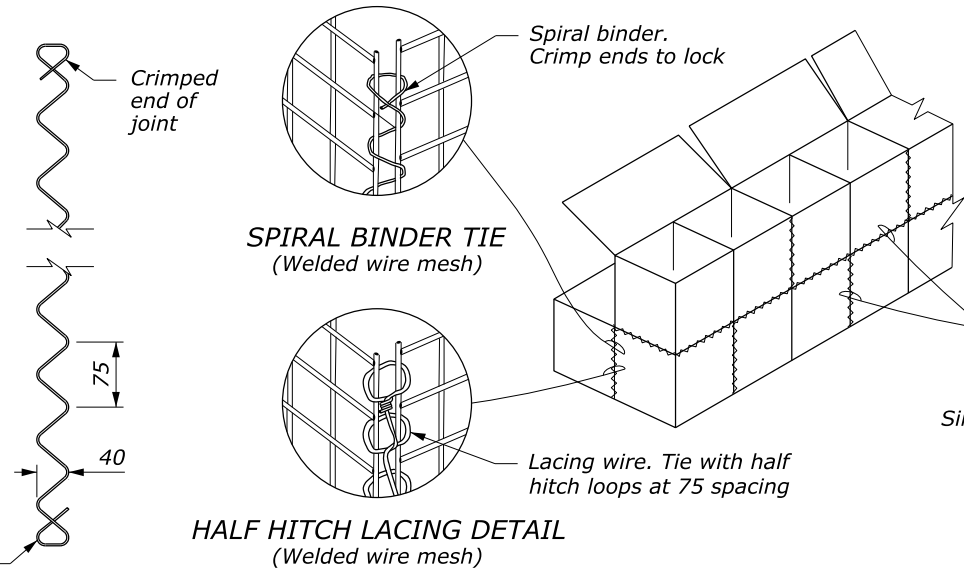
NOTE:
All dimensions are nominal



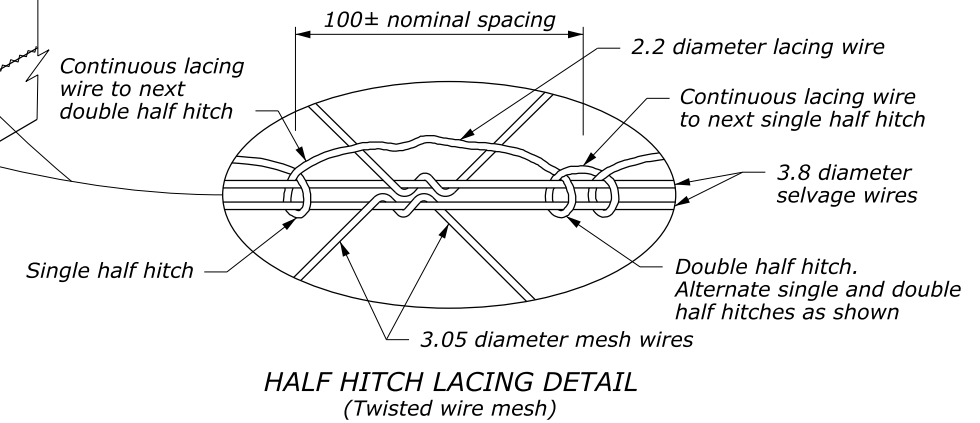
NOTE:
All dimensions are nominal

OVERLAPPING RING WIRE FASTENER
(Not allowed for basket to basket connection)
ALTERNATE TYING FASTENERS

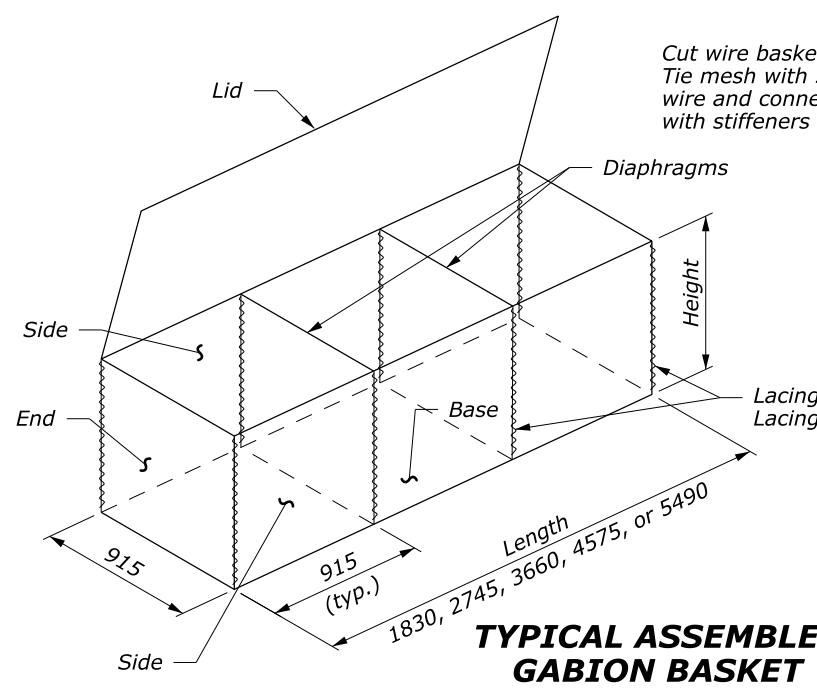
3.8 mm DIAMETER SPIRAL BINDER



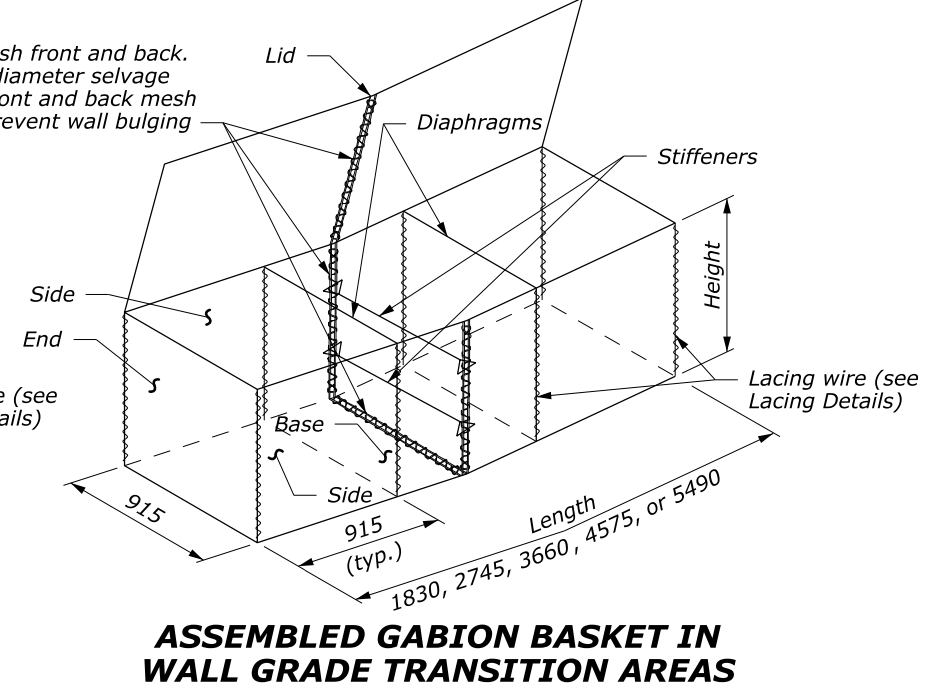
NOTE:
1. Dimensions not labeled are in millimeters.



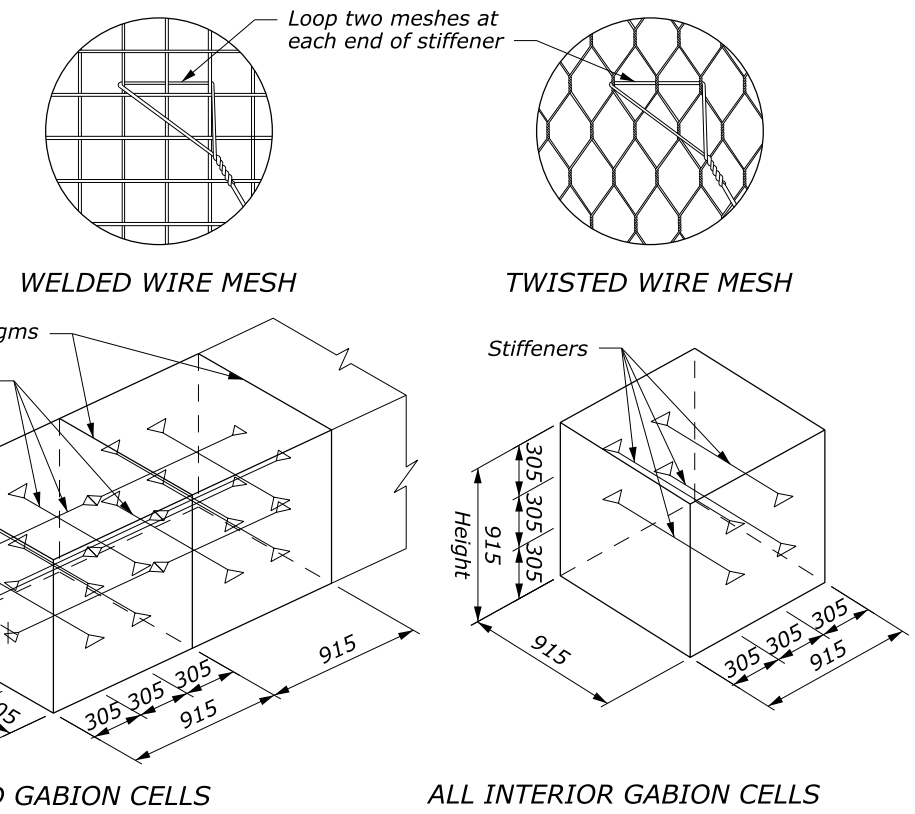
TYPICAL INSTALLATION GABION BASKETS



TYPICAL ASSEMBLED GABION BASKET

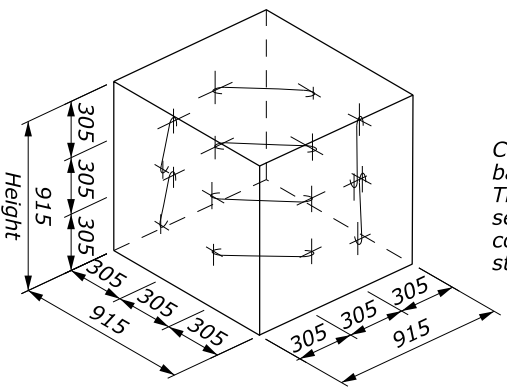
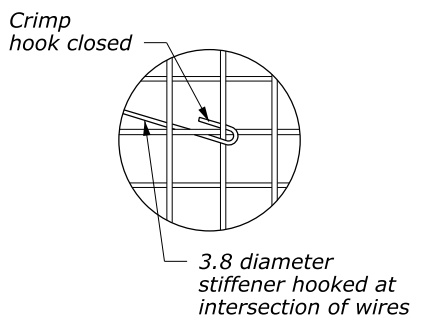


ASSEMBLED GABION BASKET IN WALL GRADE TRANSITION AREAS

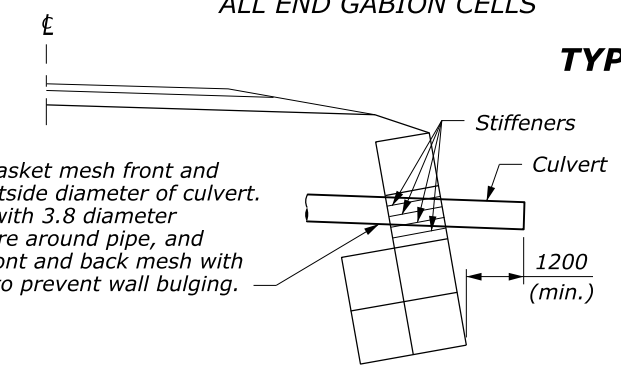


TYPICAL STIFFENERS

GABION BASKET NOMINAL SIZES AND CAPACITY				
Size Code Letter	Size in meters		Diaphragm Partitions	Capacity (m ³)
	Length	Height		
A	1.83	0.915	1	1.5
B	2.75	0.915	2	2.3
C	3.66	0.915	3	3.1
X	4.58	0.915	4	3.8
Y	5.49	0.915	5	4.6
D	1.83	0.45	1	0.8
E	2.75	0.45	2	1.1
F	3.66	0.45	3	1.5
G	1.83	0.30	1	0.5
H	2.75	0.30	2	0.8
I	3.66	0.30	3	1.0



ALL GABION CELLS
OPTIONAL STIFFENERS WELDED WIRE GABION BASKET



TYPICAL CULVERT INSTALLATION THROUGH GABION WALL

NO SCALE

U.S. DEPARTMENT OF TRANSPORTATION
FEDERAL HIGHWAY ADMINISTRATION
WESTERN FEDERAL LANDS HIGHWAY DIVISION

METRIC DETAIL

GABION BASKET

DETAIL APPROVED FOR USE --/----

REVIS: 9/2011

DETAIL WM253-1