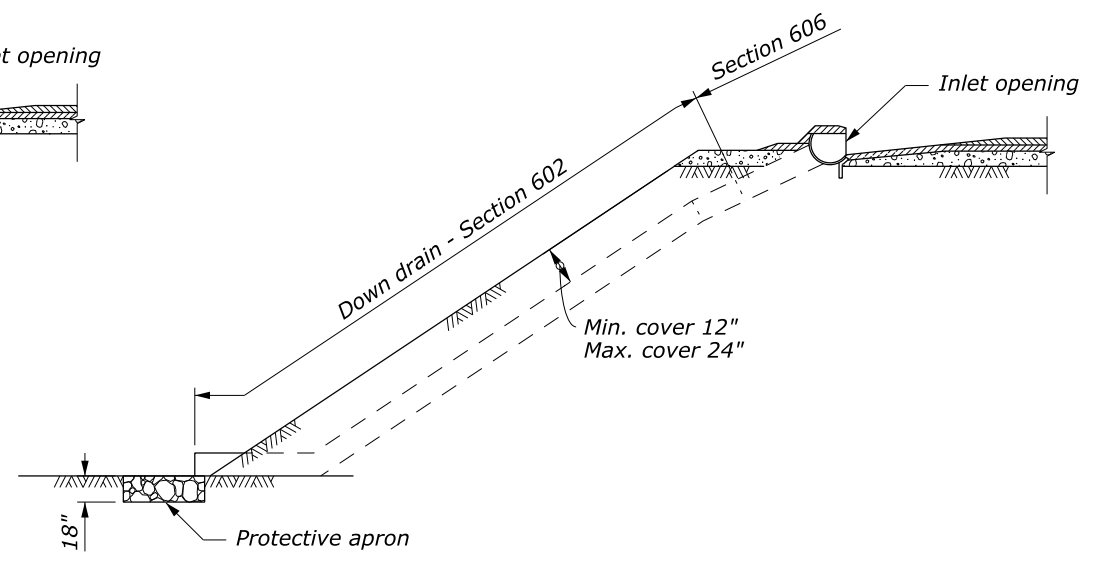


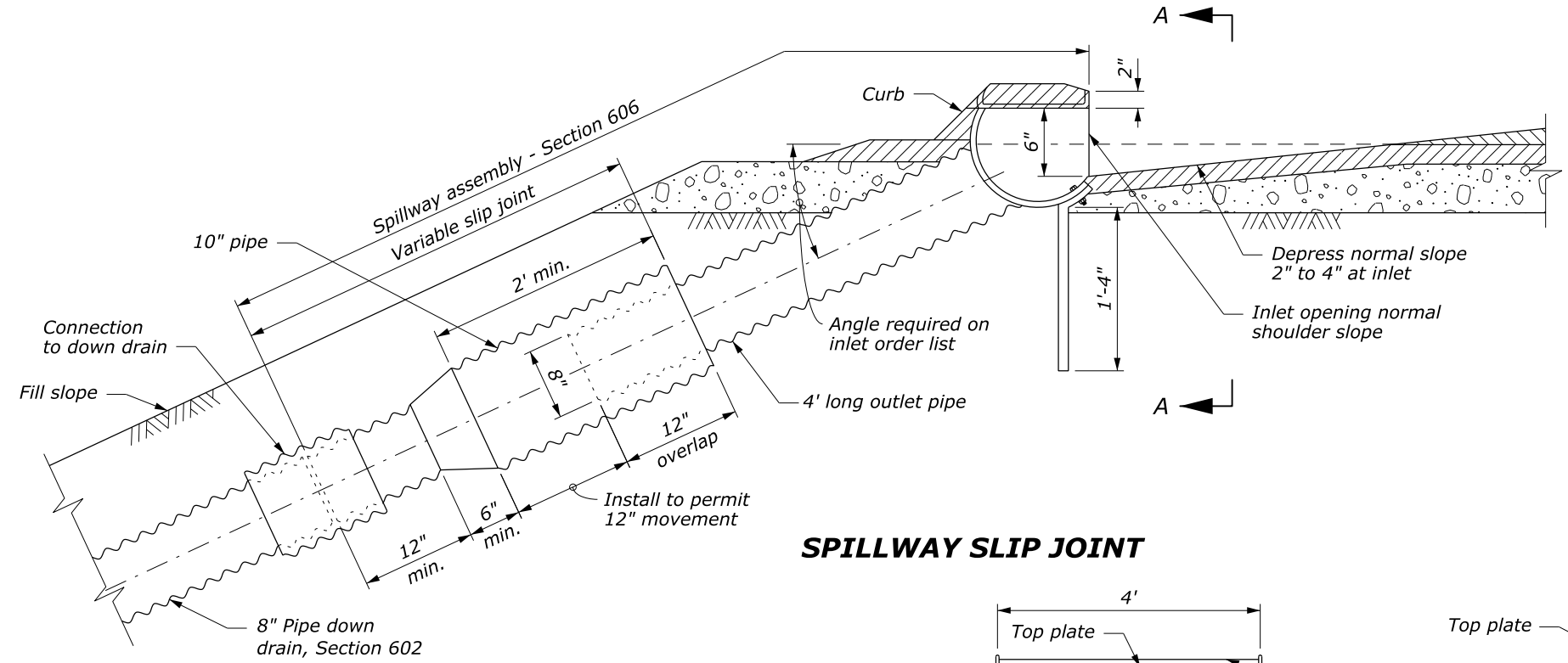
**SPILLWAY ASSEMBLY WITH SURFACE DOWN DRAIN**



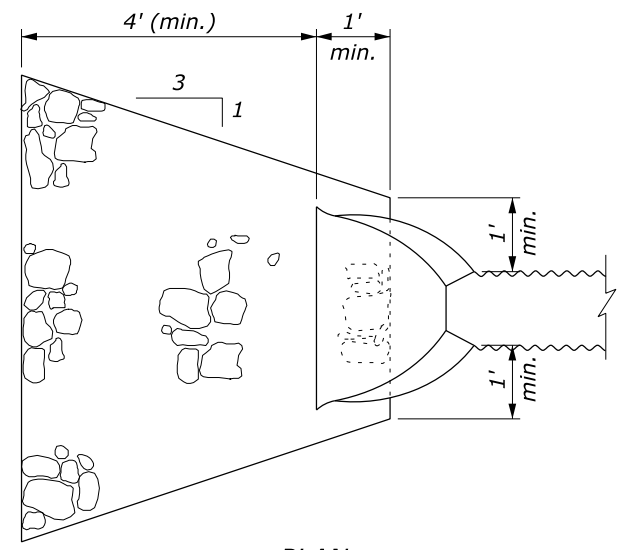
**SPILLWAY ASSEMBLY WITH BURIED DOWN DRAIN**

**NOTE:**

1. Fabricate half-round pipe, outlet pipe, and curtain wall for spillway assembly from 0.64 inch galvanized steel or 0.60 inch aluminum. Fabricate top plate and end plate from 0.18 inch flat steel or 0.20 inch aluminum plate.
2. Make all coupling band connections watertight by placing a  $\frac{3}{16}$  inch bead of approved caulking under each half of the band before tightening.
3. Install pipe anchor assemblies at 10 feet  $\pm$  spacing on down drain installed above ground.
4. Use type 2 spillway assembly inlets where profile grades are greater than 2%. Use type 1 on grades 2% or flatter.
5. Place class 2 riprap conforming to Section 251 for protective apron.
6. Approved alternate designs may be used.
7. See Detail W606-14 for Pipe Anchor Assembly Detail.

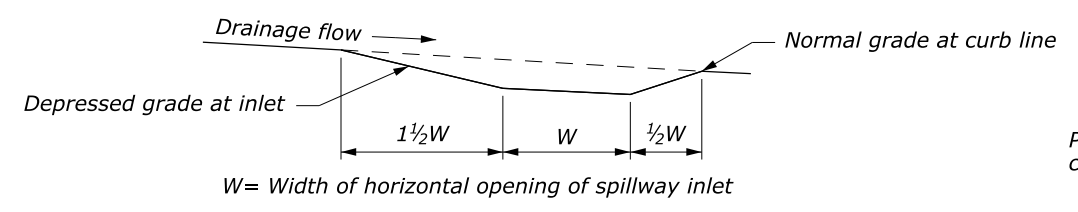


**SPILLWAY SLIP JOINT**

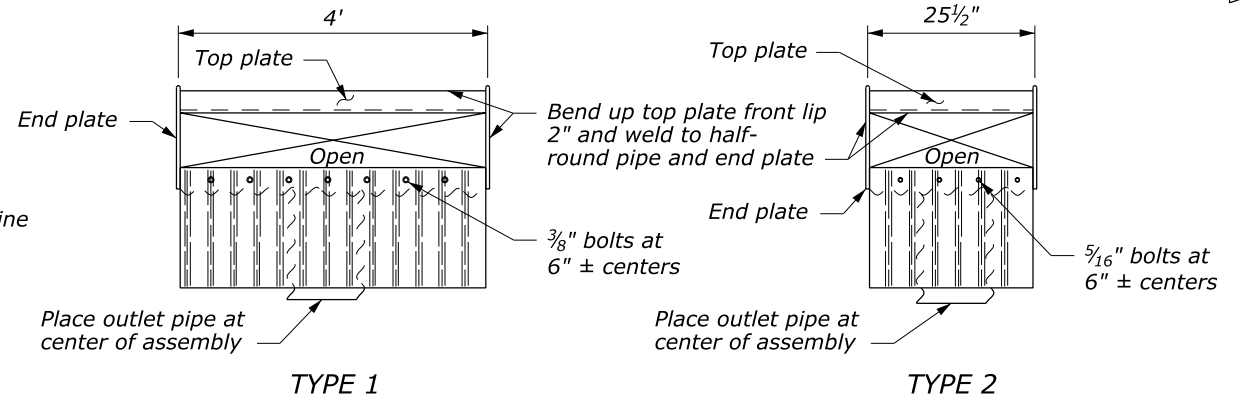


PLAN

**PROTECTIVE APRON**



**SCHEMATIC PROFILE OF INLET BASIN**



TYPE 1

SECTION A-A

TYPE 2

**SPILLWAY ASSEMBLY INLETS**

NO SCALE

U.S. DEPARTMENT OF TRANSPORTATION FEDERAL HIGHWAY ADMINISTRATION WESTERN FEDERAL LANDS HIGHWAY DIVISION	
U.S. CUSTOMARY DETAIL	
<b>CORRUGATED METAL SPILLWAYS AND INLETS</b>	
DETAIL APPROVED FOR USE 10/2009	DETAIL
REVISED:	W606-13