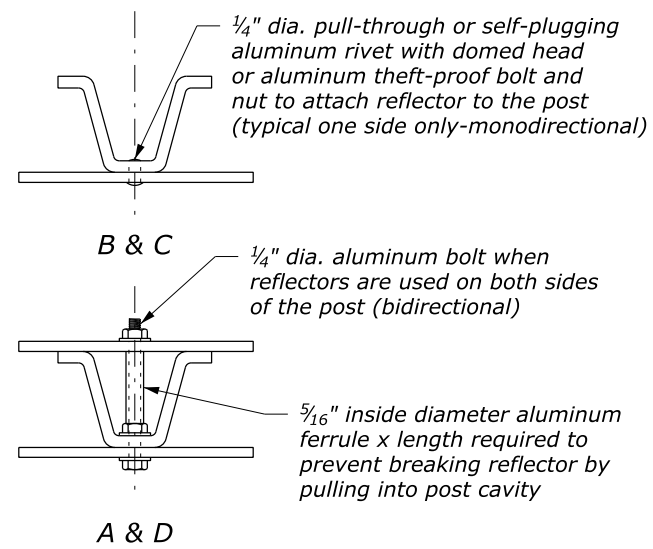
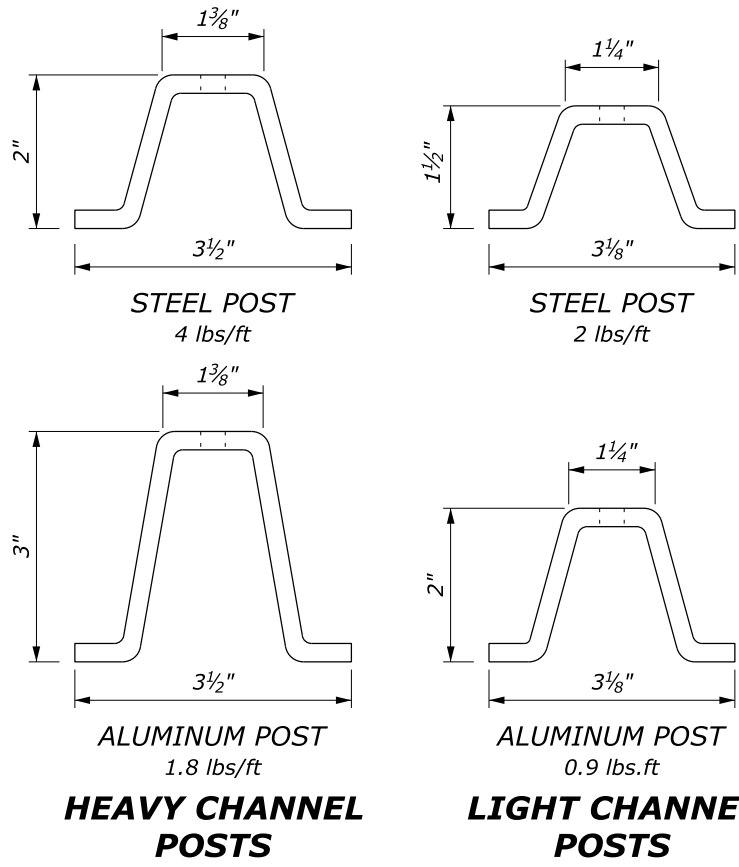


REFLECTOR DETAILS

DELINEATION MARKER REFLECTOR		
TYPE	COLOR OF REFLECTOR	REFLECTORIZED
A	White	Front & Rear
B	White	Front
C	Yellow	Front
D	Yellow	Front & Rear

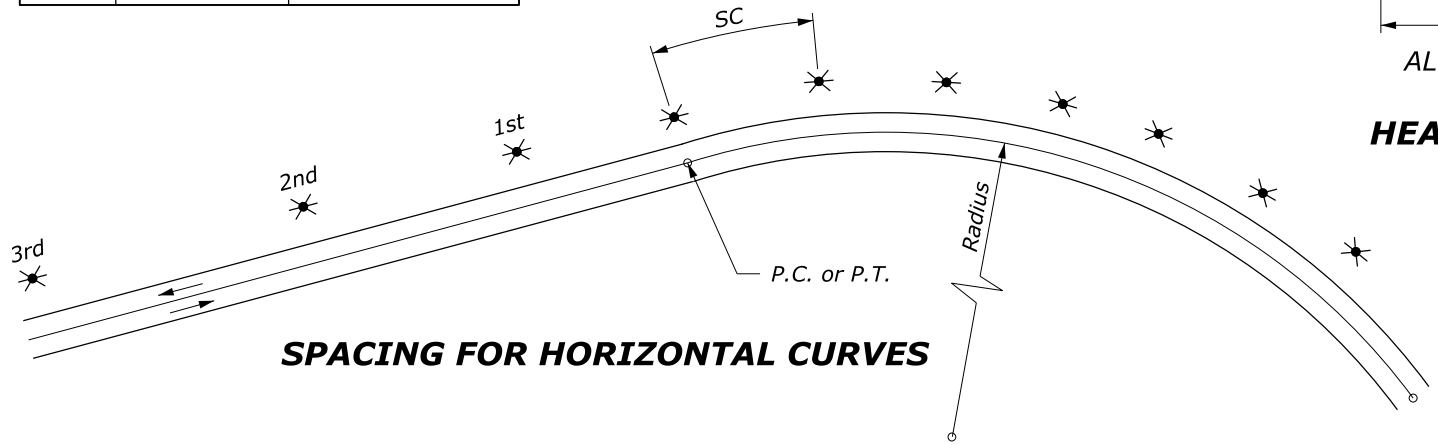


ATTACHMENT DETAIL



NOTE:

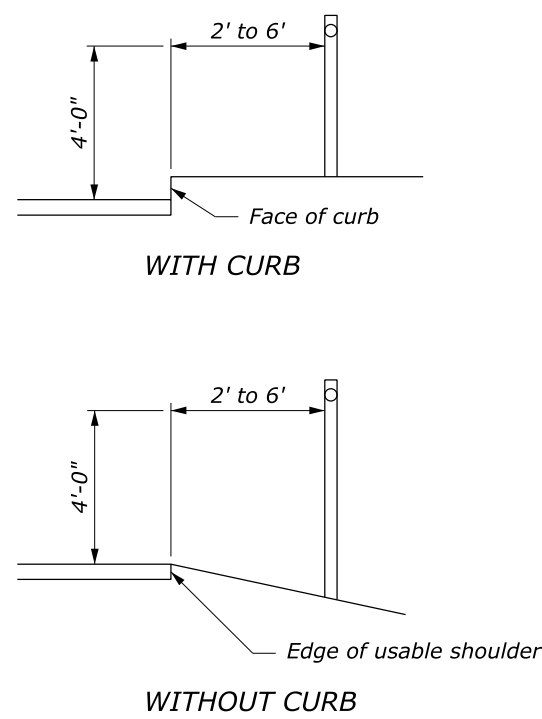
1. Vary the post spacing up to 1/8 of the spacing shown to clear driveways, cross roads, intersections or ramps. Eliminate the post in cases where the variation is exceeded.
2. Dimensions of channel posts shown indicate general design only and may vary slightly among manufacturers.
3. When specified, rectangular 3" x 6" reflectors may be used in lieu of double disk reflector.
4. Offset delineators 2 feet unless otherwise shown.
5. See plans for delineator reflector colors.
6. Use tangent spacing of 500 feet ± (525 feet maximum).
7. When the contract does not include the final pavement, allow for the ultimate base and pavement thickness when establishing the traffic delineator elevation.
8. On two way roads, stagger markers on opposite sides of the road.



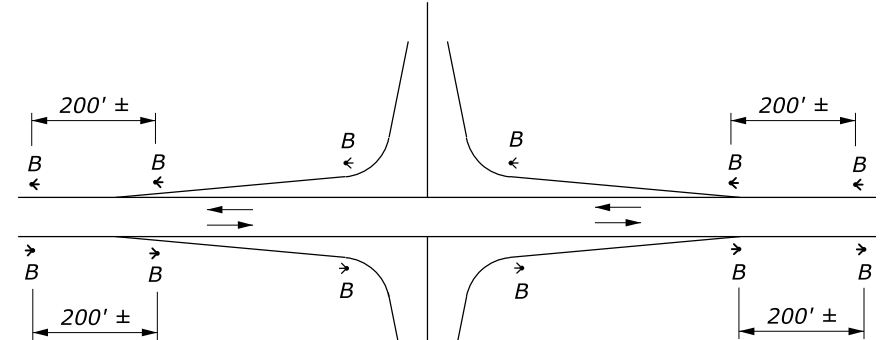
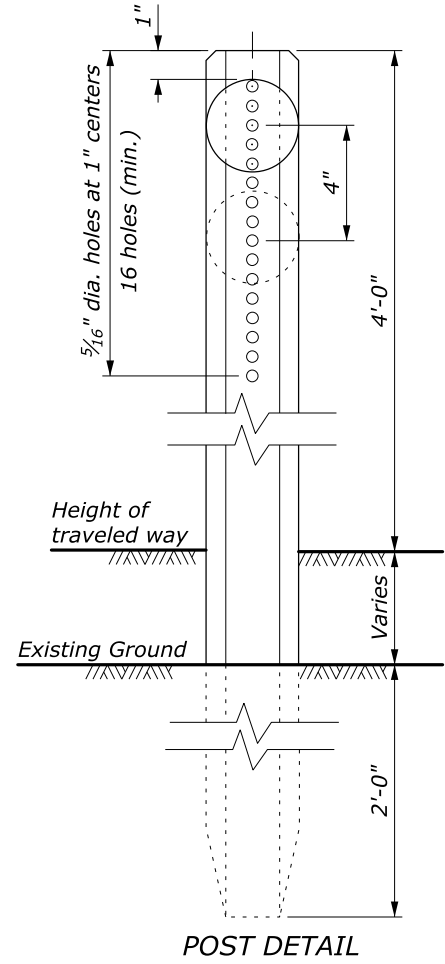
SPACING FOR HORIZONTAL CURVES

CURVE RADIUS (FEET)	HORIZONTAL CURVES			
	SPACING ON EACH SIDE OF ROADWAY (FEET)			
	ON CURVE *	IN ADVANCE OF & BEYOND CURVE		
		1st SPACE	2nd SPACE	3rd SPACE
10,000	300	300	300	300
5,000	200	300	300	300
4,000	190	300	300	300
3,000	165	300	300	300
2,000	130	235	300	300
1,000	90	160	270	300
900	85	155	250	300
800	80	145	240	300
700	75	135	225	300
600	70	125	210	300
500	65	115	195	300
400	55	100	165	300
300	50	90	150	300
250	40	70	120	240
200	35	65	105	210
150	30	55	90	180
100	20	35	60	120
75	20	25	45	90

* Spacing for specific radii not shown may be interpolated from the formula: $Spacing = 3 \sqrt{R-50}$
(Minimum spacing: 20 feet; Maximum spacing: 300 feet)



TYPICAL INSTALLATION



Two Way Road ROAD INTERSECTIONS

NO SCALE

U.S. DEPARTMENT OF TRANSPORTATION FEDERAL HIGHWAY ADMINISTRATION WESTERN FEDERAL LANDS HIGHWAY DIVISION	
U.S. CUSTOMARY DETAIL	
ALASKA DELINEATORS	
DETAIL APPROVED FOR USE --/----	DETAIL
REVISED: 7/2016	W633-40