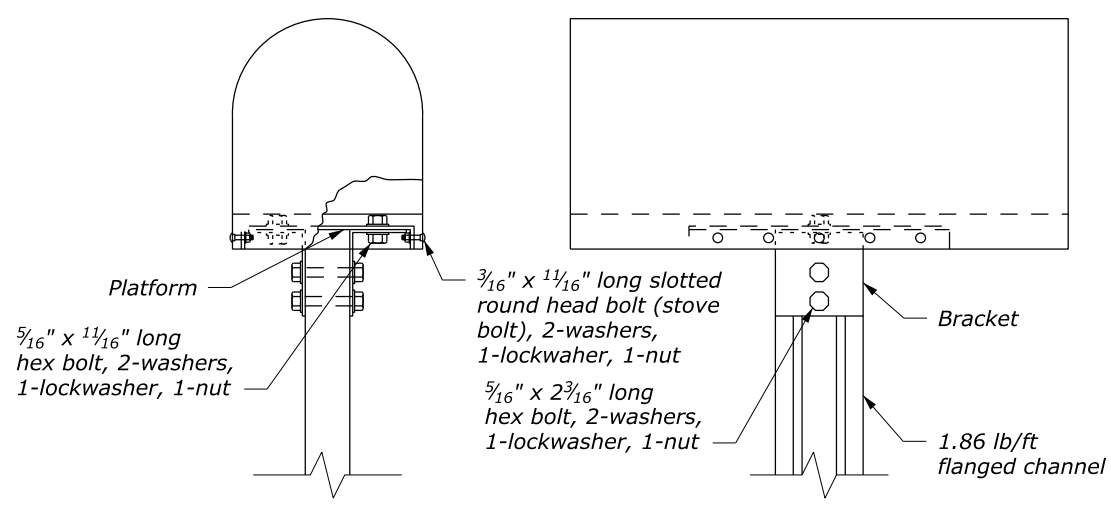
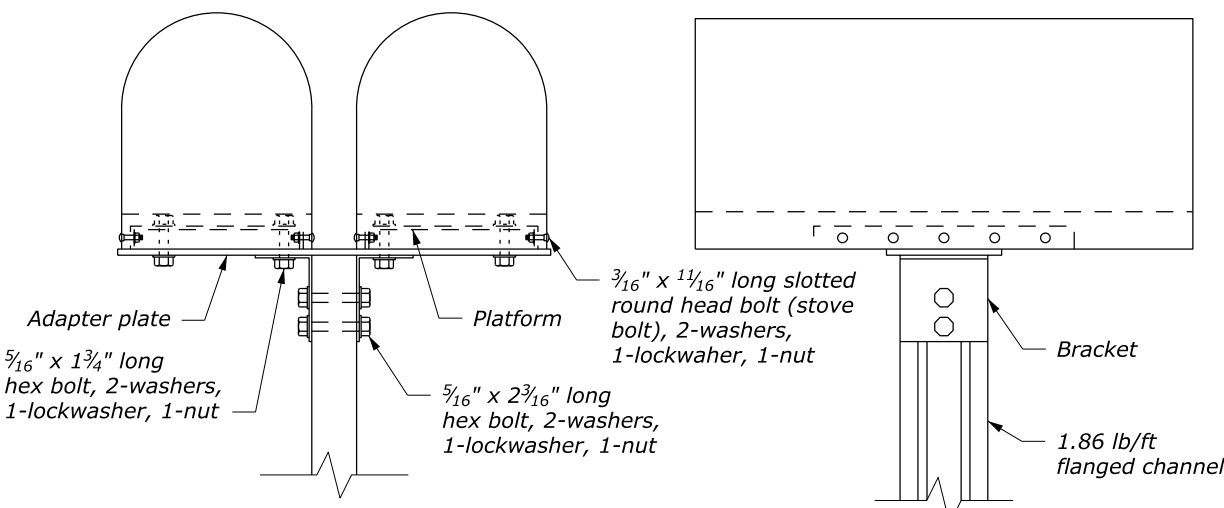


**NOTE:**

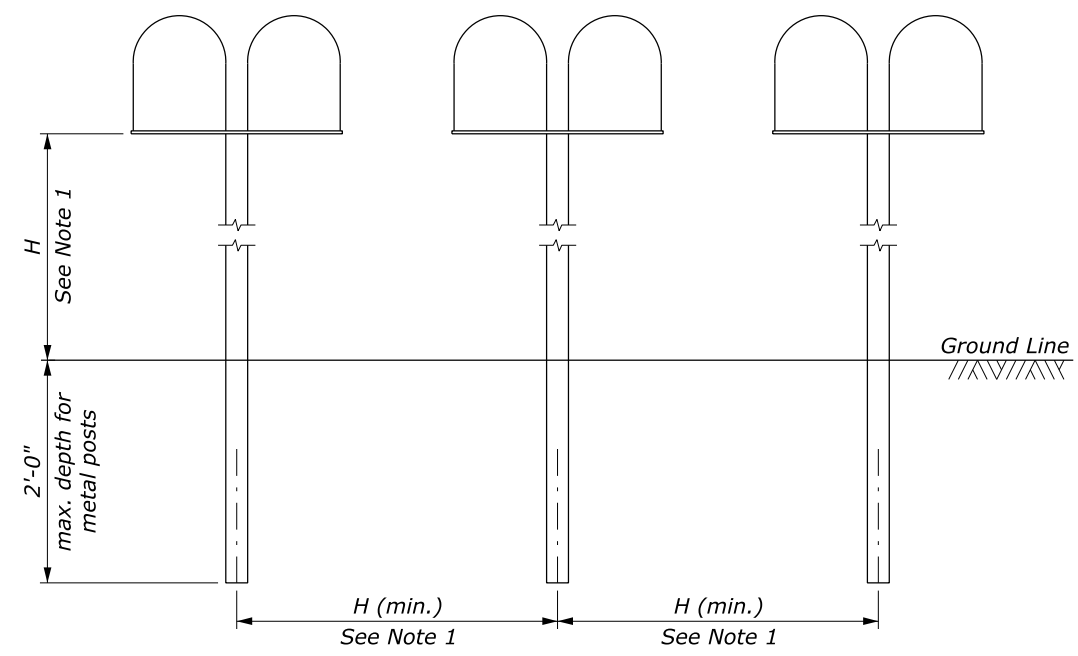
1. Spacing between multiple mailboxes and height of mailbox above ground level are as established by the U.S. Postal Service. H is usually 3'-4" to 4'-0".



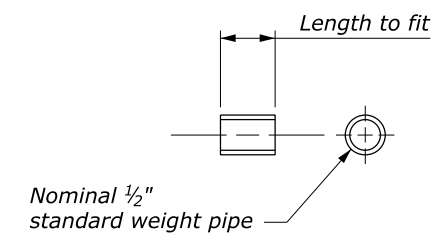
**SINGLE MAILBOX INSTALLATION**



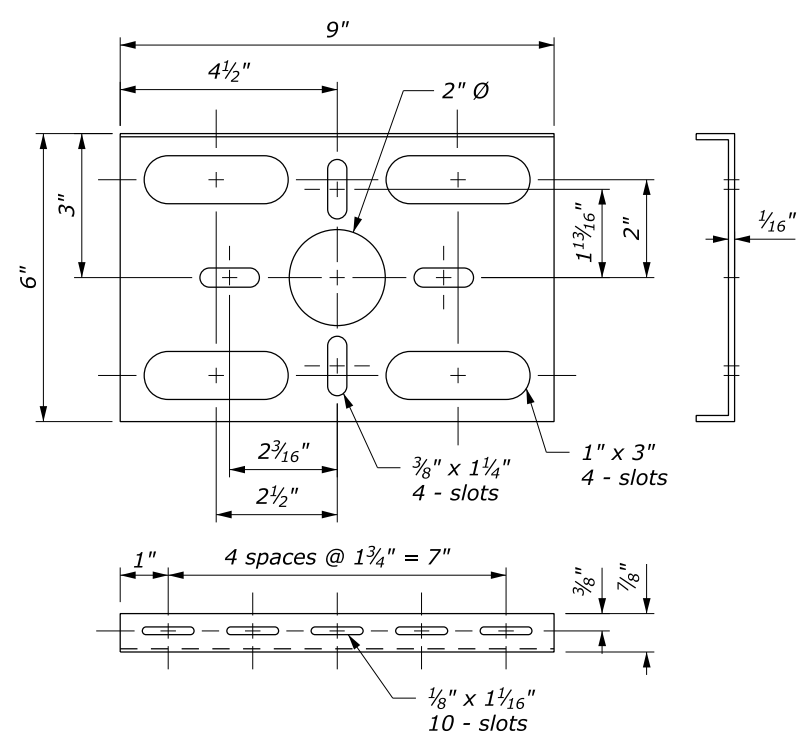
**DOUBLE MAILBOX INSTALLATION**



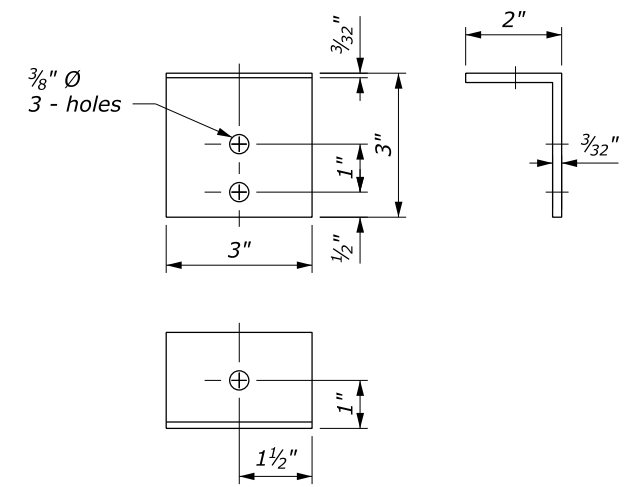
**SPACING FOR MULTIPLE INSTALLATION**



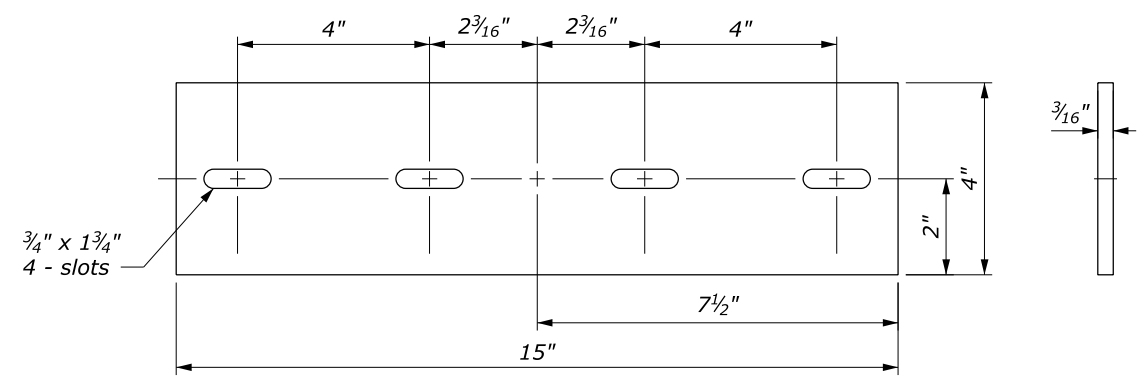
**SPACER**



**PLATFORM**



**BRACKET**



**ADAPTER PLATE**

U.S. DEPARTMENT OF TRANSPORTATION FEDERAL HIGHWAY ADMINISTRATION WESTERN FEDERAL LANDS HIGHWAY DIVISION	
U.S. CUSTOMARY DETAIL	
<b>MAILBOX ASSEMBLY SERIES B</b>	
DETAIL APPROVED FOR USE --/----	DETAIL
REVISED: DRAFT: 11/2014	W646-3

NO SCALE

29 June 2016 11:13 AM c:\myfiles\pw\_production\dms43605\W646-3.dgn [USC]