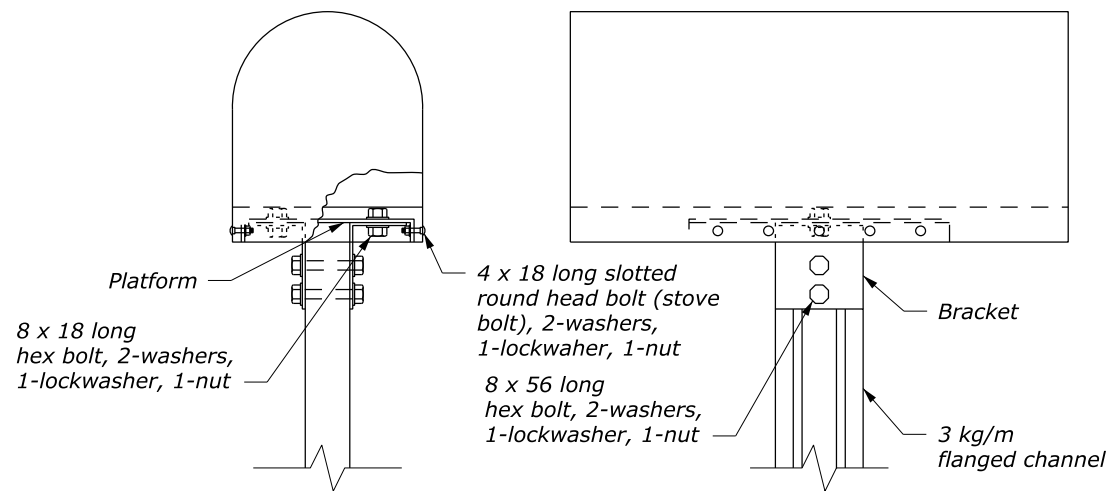
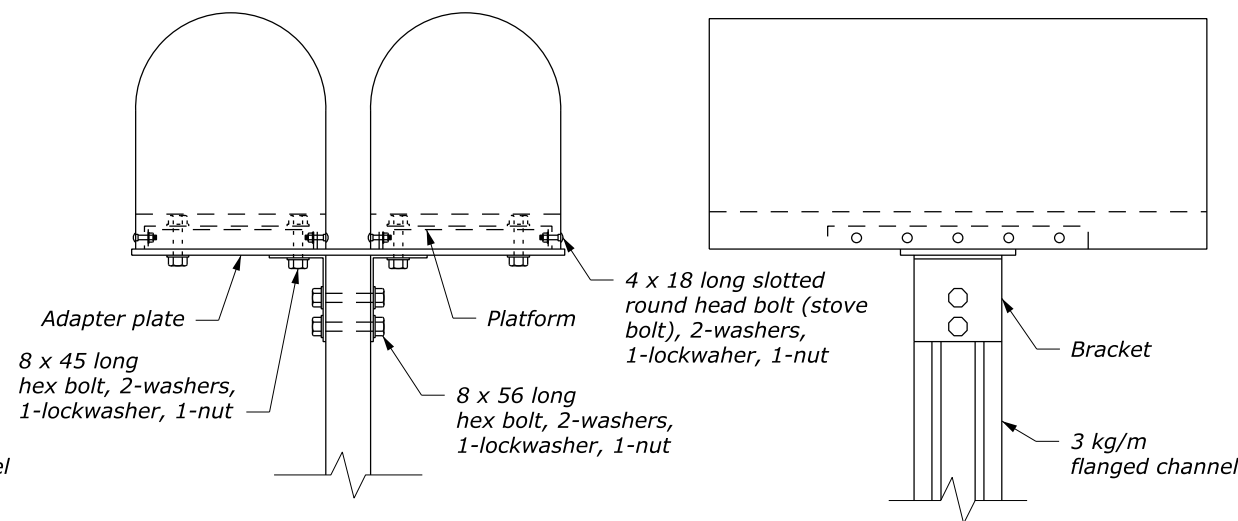


**NOTE:**

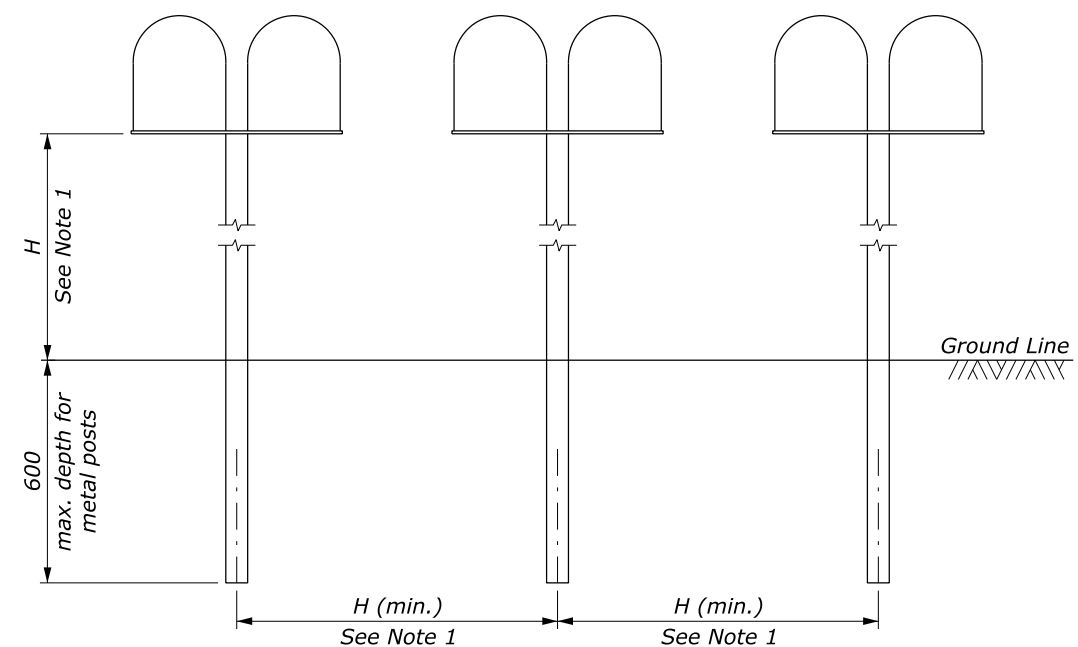
1. Spacing between multiple mailboxes and height of mailbox above ground level are as established by the U.S. Postal Service. H is usually 1.0 m to 1.2 m.
2. Dimensions without units are millimeters.



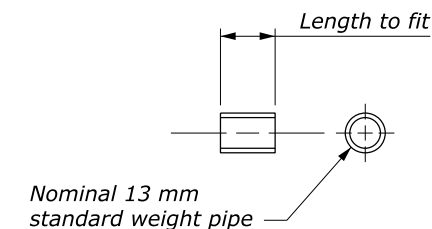
**SINGLE MAILBOX INSTALLATION**



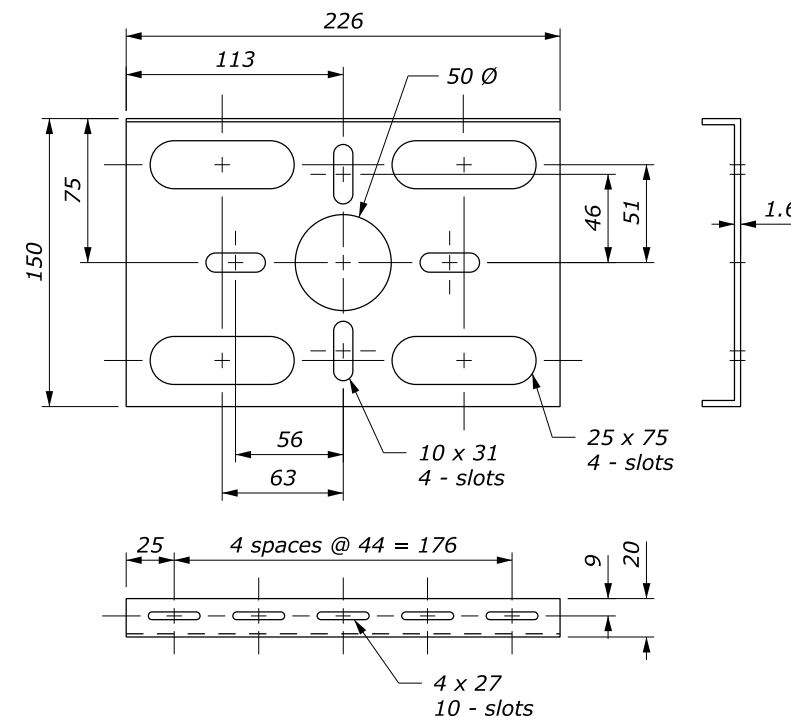
**DOUBLE MAILBOX INSTALLATION**



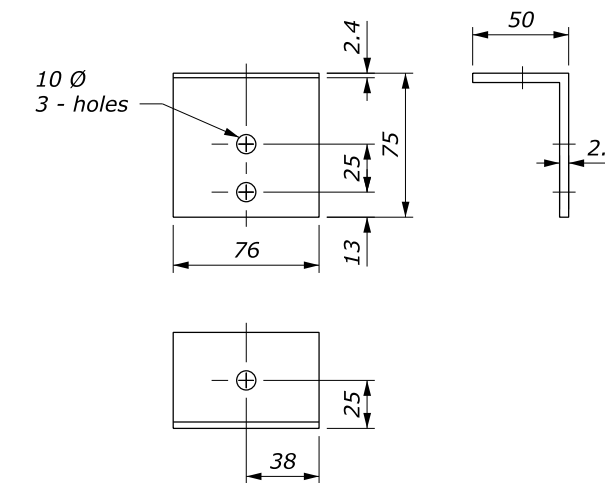
**SPACING FOR MULTIPLE INSTALLATION**



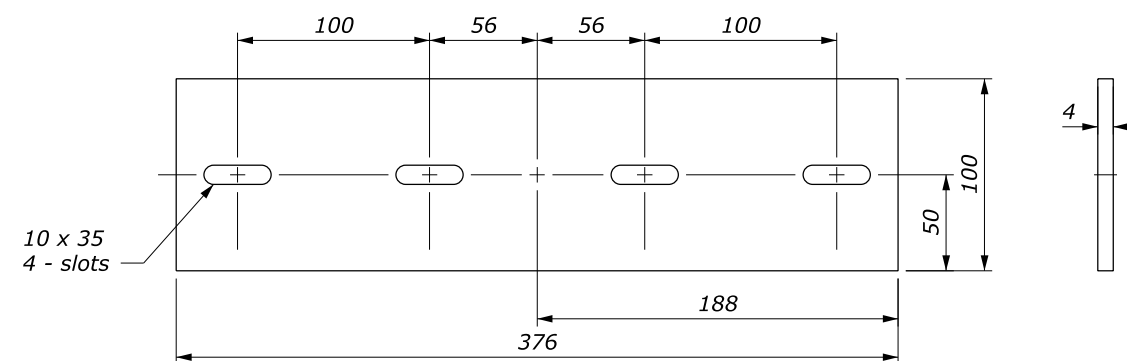
**SPACER**



**PLATFORM**



**BRACKET**



**ADAPTER PLATE**

NO SCALE

U.S. DEPARTMENT OF TRANSPORTATION FEDERAL HIGHWAY ADMINISTRATION WESTERN FEDERAL LANDS HIGHWAY DIVISION	
METRIC DETAIL	
<b>MAILBOX ASSEMBLY SERIES B</b>	
DETAIL APPROVED FOR USE --/----	DETAIL
REVISED: 11/2014	MW646-3