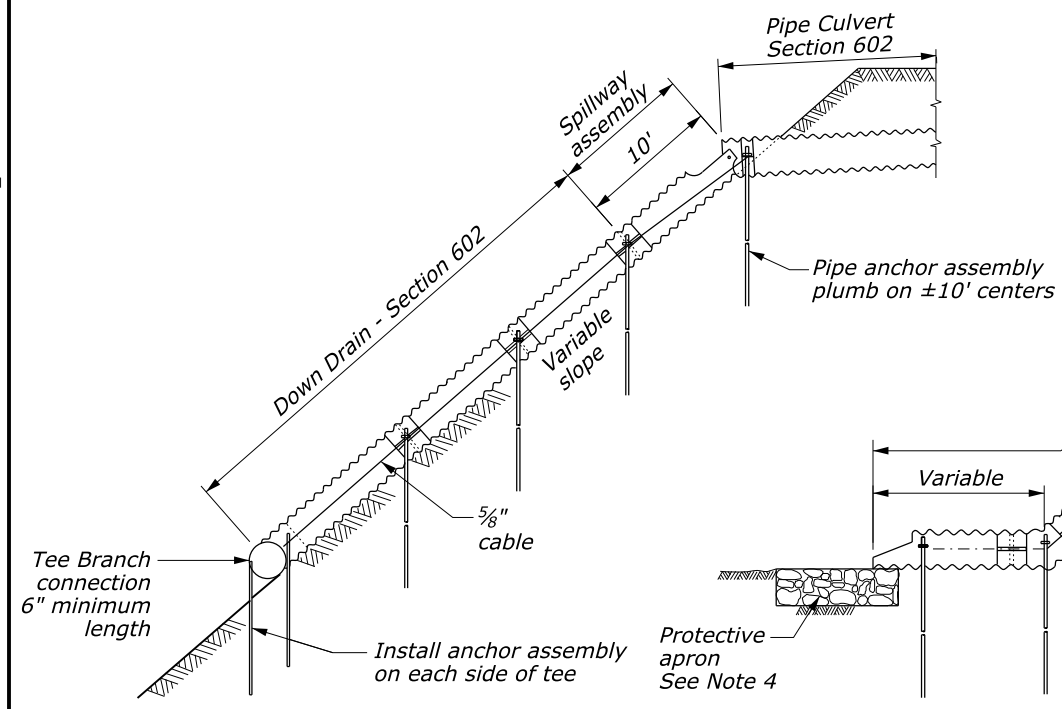
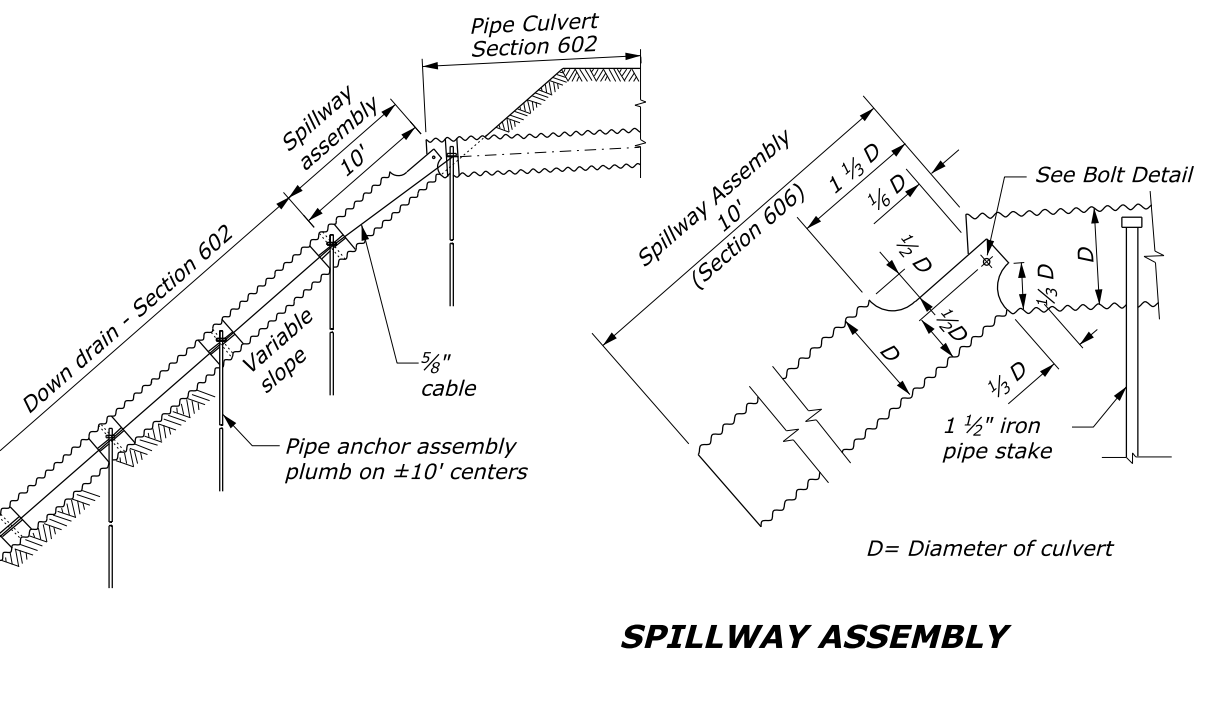


User: 9/22/2014 9:42:30 AM N:\CFL-DPT\Drawings\FP-14\FP14\_Details\C606-50.dgn



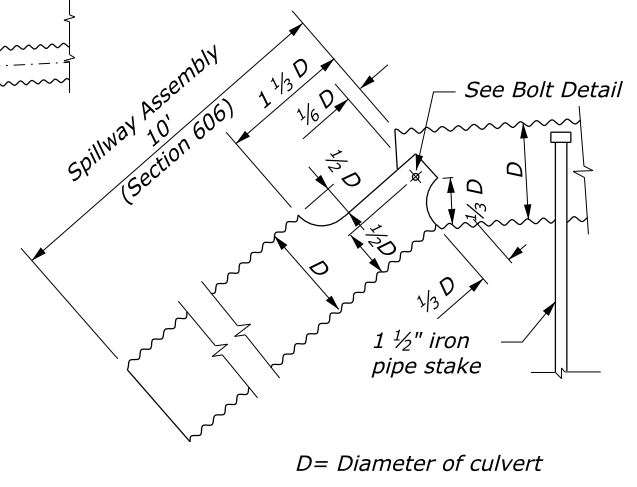
ELEVATION

**SPILLWAY ASSEMBLY WITH DOWN DRAIN OUTLET ON NON-ERODIBLE MATERIAL**



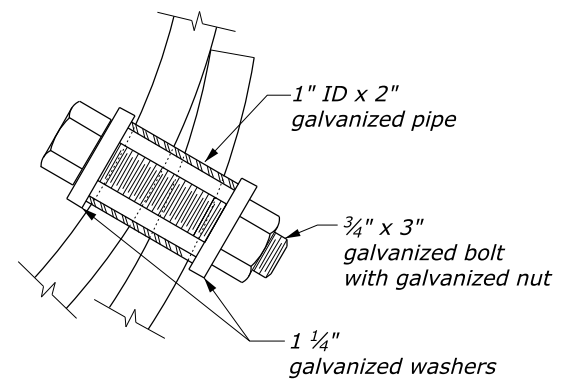
ELEVATION

**SPILLWAY ASSEMBLY WITH DOWN DRAIN OUTLET ON ERODIBLE MATERIAL**



D = Diameter of culvert

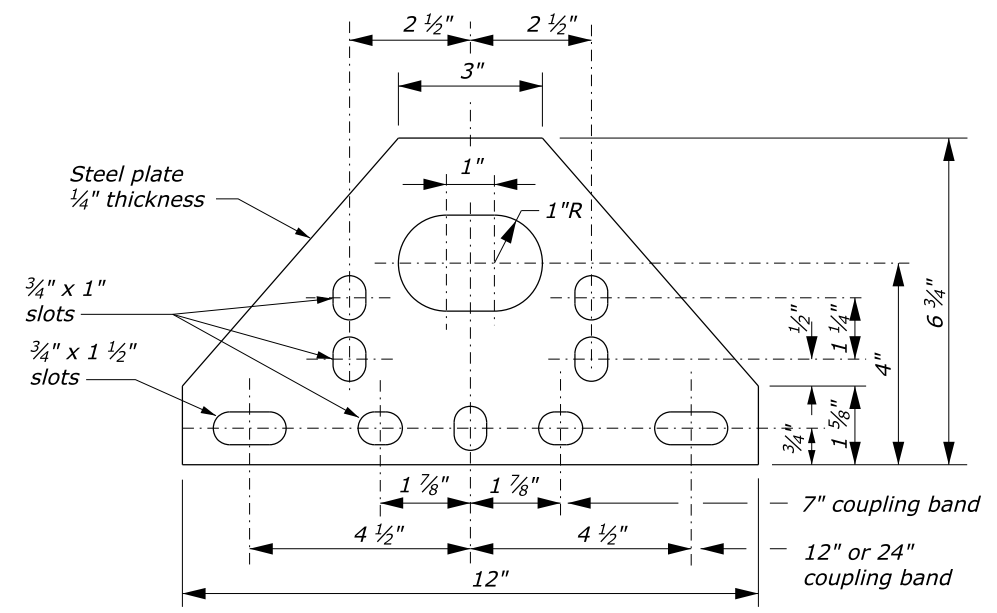
**SPILLWAY ASSEMBLY**



**BOLT DETAIL**

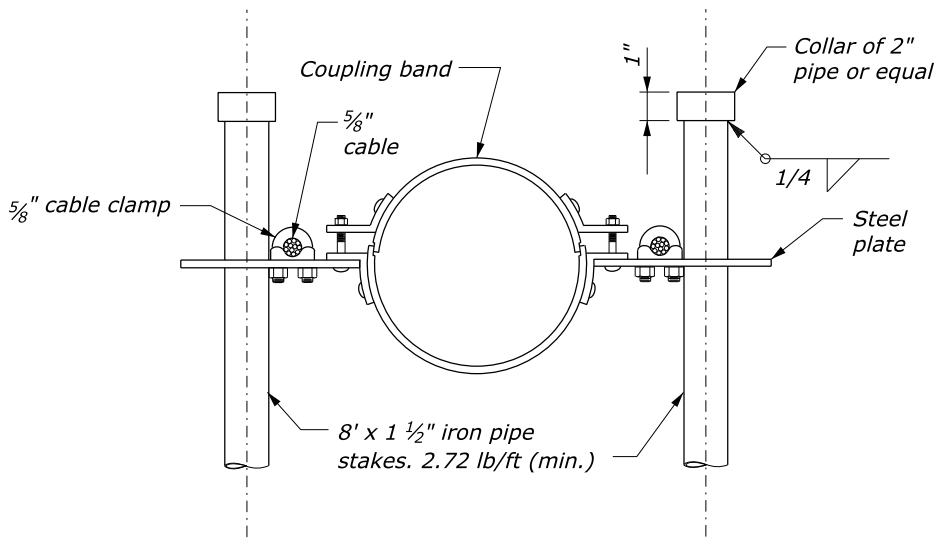
**NOTE:**

1. Fabricate spillway assembly from annular corrugated pipe, or from helically corrugated pipe with factory annular or reformed ends. Use 16 gage galvanized steel or 16 gage aluminum.
2. Make all banded connections watertight by placing 1/4\"/>



Measure length of coupling band parallel to the centerline of the pipe.

**STEEL PLATE**



**ANCHOR ASSEMBLY**

NO SCALE

U.S. DEPARTMENT OF TRANSPORTATION FEDERAL HIGHWAY ADMINISTRATION CENTRAL FEDERAL LANDS HIGHWAY DIVISION	
U.S. CUSTOMARY DETAIL	
<b>CMP SPILLWAY ASSEMBLY WITH DOWN DRAIN</b>	
DETAIL APPROVED FOR USE 07/2004	DETAIL
REVISED: 08/2006 08/2014	C606-50