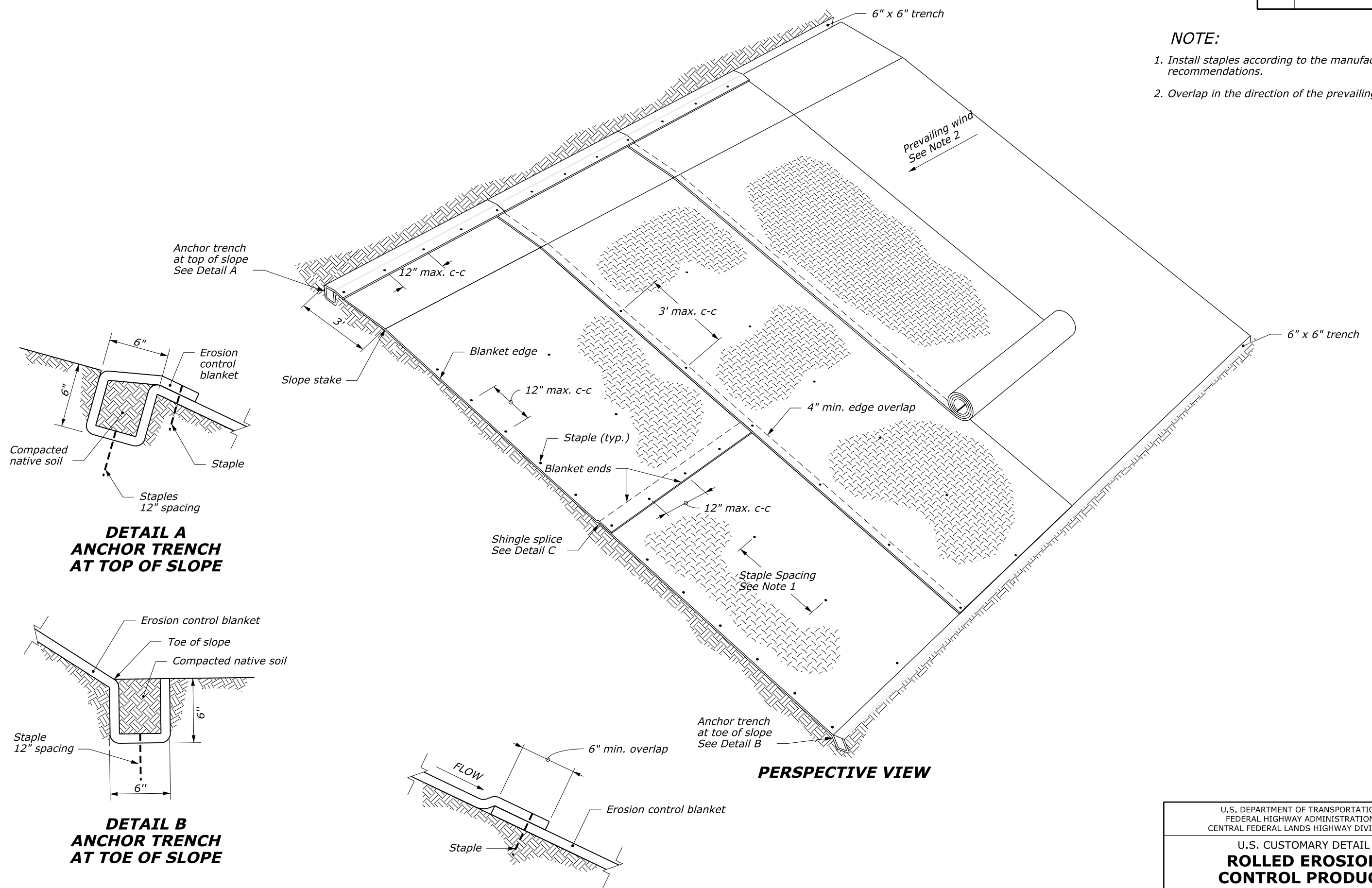


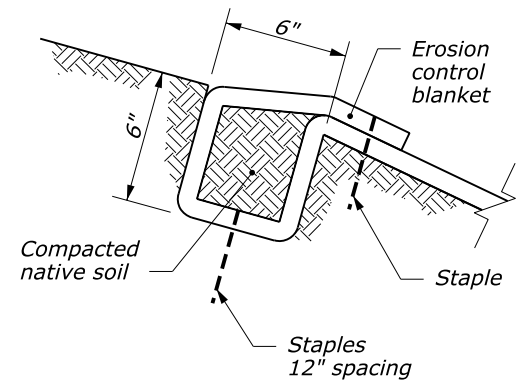
|       |         |              |
|-------|---------|--------------|
| STATE | PROJECT | SHEET NUMBER |
|       |         |              |

- NOTE:**
1. Install staples according to the manufacturer's recommendations.
  2. Overlap in the direction of the prevailing wind.

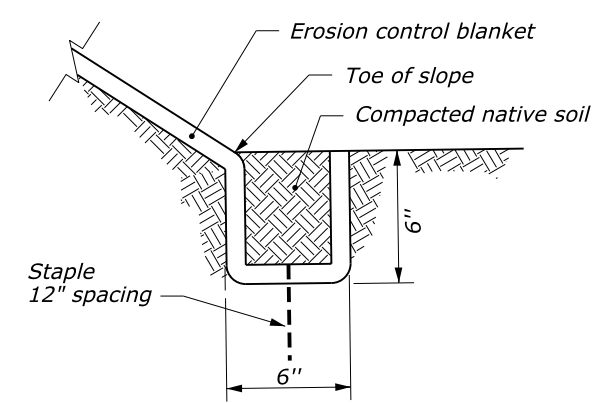
User: \_\_\_\_\_  
 9:38:41 AM N:\CFL-DPT\Drawings\FP-14\FP14\_Details\C629-50.dgn  
 9/22/2014



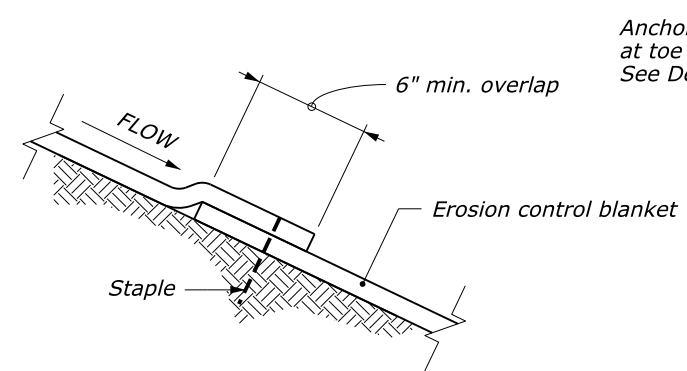
**DETAIL A  
ANCHOR TRENCH  
AT TOP OF SLOPE**



**DETAIL B  
ANCHOR TRENCH  
AT TOE OF SLOPE**



**DETAIL C  
SHINGLE SPLICE**



**PERSPECTIVE VIEW**

NO SCALE

|   |         |
|---|---------|
| U.S. DEPARTMENT OF TRANSPORTATION<br>FEDERAL HIGHWAY ADMINISTRATION<br>CENTRAL FEDERAL LANDS HIGHWAY DIVISION |         |
| U.S. CUSTOMARY DETAIL<br><b>ROLLED EROSION CONTROL PRODUCT ON SLOPES</b>                                      |         |
| DETAIL APPROVED FOR USE 01/2011   | DETAIL  |
| REVISED: 08/2014  | C629-50 |



## NOTES TO THE DESIGNER

Last Updated: August 2014

---

---

### General Information

1. **Appropriate Applications.** Erosion control blankets may be used for temporary or permanent soil stabilization on slopes. Blankets lessen the impact of soil erosion due to wind or water and provide a mulching layer for the establishment of vegetation. Erosion control blankets may be made of a variety of materials, such as jute, straw, or excelsior.
2. **Limitations.**
  - Erosion control blankets are typically used on slopes between 1V:1H and 1V:3H
3. **Layout Guidance.**
  - Show locations of matting in the erosion and sediment control plans. Use the pattern MAT in the cell library EC\_X30.cel.

---

---

### Applicable SCRs

1. Section 629:  
<http://www.cflhd.gov/resources/design/constructspecs/scr/fp14/documents/S629-14.docx>

---

---

### Typical Pay Item Used

- 62901-[0100 through 1400] Rolled erosion control product, type xx [SQYD]  
OR
- 62902-[0100 through 1400] Rolled erosion control product, type xx [ACRE]

---

---

### Updates

January 2011

- New Detail drawing

August 2014

- Updated for FP-14
- Updated border to FLH Standard